

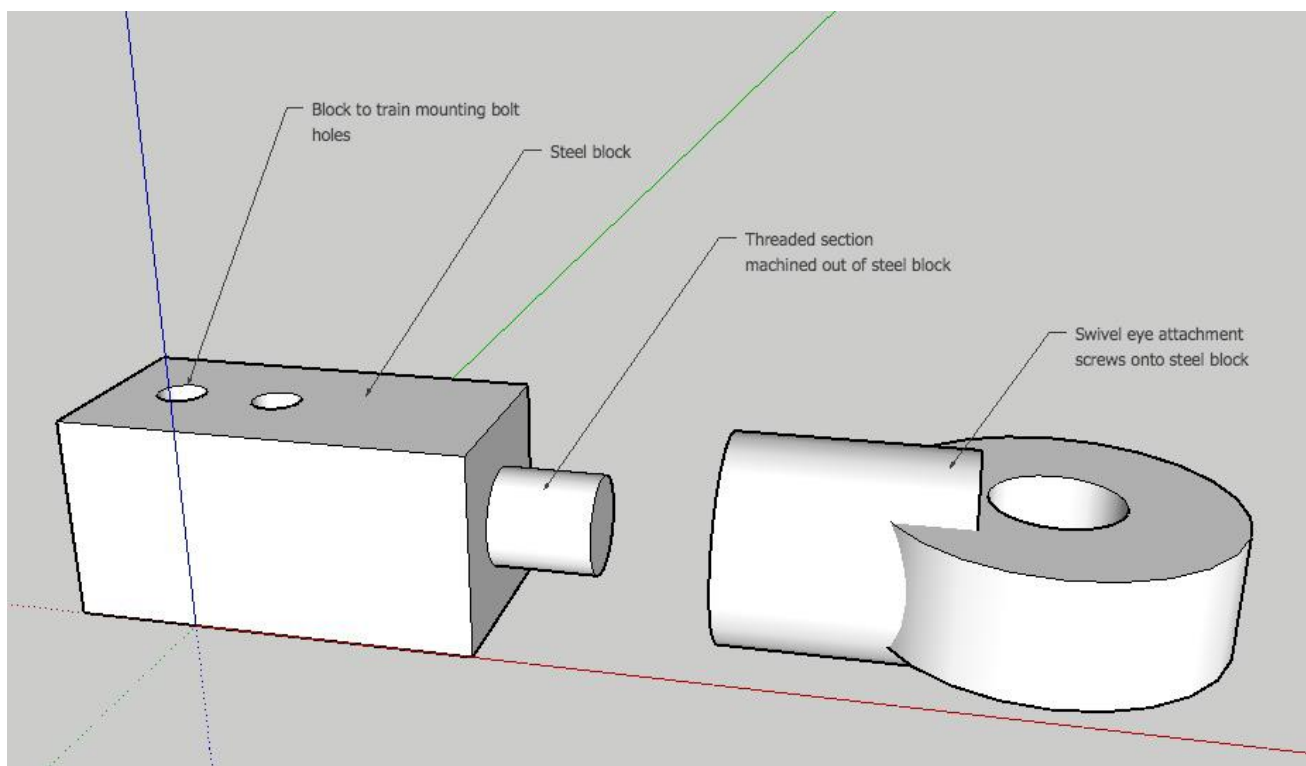
489.

## Dal Dragon coaster carriage to carriage coupling failure

NAFLIC has received a report from a UK inspection body relating to the thread on the carriage to carriage coupling failing on a Dal Dragon type coaster. The device was manufactured in 2005.

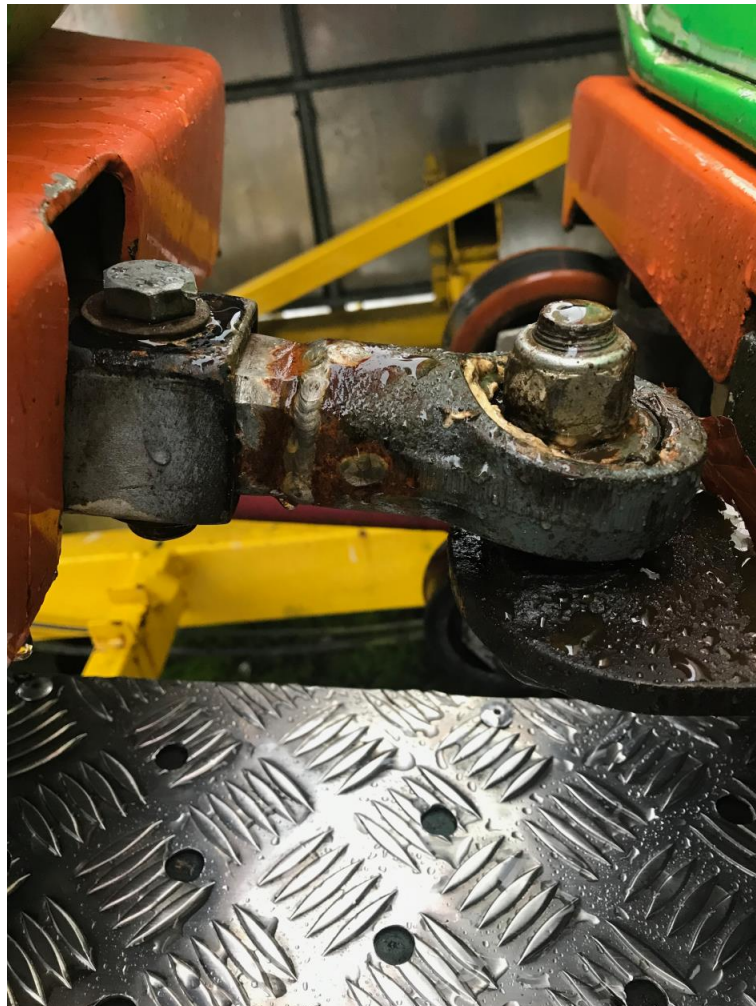
This failing allowed the drive carriage to become separated from the rest of the train during a ride cycle, the result being that the drive carriage skewed sideways and jammed on the tracks, while the rest of the train proceeded partially up the next hill only to lose momentum and roll back into the drive carriage. The operator activated the emergency stop and no one was injured by the relatively low speed collision.

It is noted that this was a previously failed component comprising two parts of dissimilar parent metals. The welding of two different materials is a specialist technique and should only be performed by a competent person. It would generally be the case that this design of coupling would have a secondary linkage.





Normal connection



Weld repair connection (not advised)