

432.

## ARM Super Shot safety alert

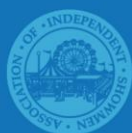
A safety alert has been issued by A.R.M. (USA) Inc. relating to its Super Shot ride. This highlights a defect on the device's structural tubes resulting in the potential misalignment of the brakes. Please see the accompanying alert.

*The information contained within is that of the manufacturer and not NAFLIC. When following the advice from the manufacturer, you are reminded of your duties and responsibilities under HSG175 regarding modifications.*

Committee Members: Mr. D Dadswell (Chairman), Mr. A Mellor (Secretary), Mr. P Smith, Mr. J Green, Mr. D Cox, Mr. M Thirkettle, Mr. I Davies, Mr. J Shilling & Mr. D Inman

[www.naflic.co.uk](http://www.naflic.co.uk)

Supported By:





**A.R.M. (USA), INC**  
 1506 Fernwood Rd.  
 Wintersville, OH 43953  
 740.264.6599  
 740.266.2953 Fax

**Bulletin No: SA20170222**  
**Release Date: Feb 22, 2017**  
**Effective Date: Feb 22, 2017**  
**Supercedes: N/A**  
**Completion Date: Immediate**  
**Page: 1 of 3**

To receive future notifications directly via e-mail, send a request from the account you would like added to [arbulletin@armrides.com](mailto:arbulletin@armrides.com). Include your full name, title and industry affiliation.

# SAFETY ALERT RED

Manufacturer: A.R.M. (USA), Inc.  
 Ride Name: Super Shot

Model(s): SS1001, SS200, SS300  
 & SS400

Affected Production Dates: All

**AFFECTED  
 SERIAL  
 NUMBERS**

## ABSTRACT OF ISSUE

Immediate inspection of tower structure for indications of damage to tube members.

All

## REASON FOR RELEASE

A.R.M. (USA), Inc. has been made aware of structural tube deformation on at least one mobile tower resulting from poor lift hook maintenance and improper engagement of the hooks when lifting the passenger carriage.

## ACTION TO BE TAKEN

Immediate inspection of all tower structural tubes with emphasis on the four corner vertical tubes that the passenger carriage guide wheels contact. Any collapse of the tube walls or corners to be measured and reported to A.R.M. (USA), Inc. prior to continued operation.

Tower inspection to be repeated on a regular basis, no less than monthly, and after any irregular operation of the lift hook system.

## DETAIL OF ISSUE

Precise alignment of the magnetic breaking system is crucial for safe operation and requires accurate tracking of the guide wheels along the tower frame. Collapsed portions of the tower frame tubes will allow the passenger carriage to shift on the tower resulting in misalignment of the magnetic breaks in relation to the conductor rails affixed to the tower. Even slight misalignment will alter the performance of the magnetic brakes - and possible failure.

In the event that the lift trolley hooks are not properly engaged to the passenger carriage, the carriage will be lifted on one side only - thus causing disproportional forces on the guide wheels around the carriage and trolley frames. The excessive force on the wheels will gradually deform the walls and/or corners of the vertical tube members on the tower.

In addition to potential brake failure, any tube deformation effects the structural integrity of the tower itself.

Prior to continued operation, all tower corner tube members must be visually inspected for deformation, excessive wear, cracks or other damage. The depth of any collapsed portion of the tube members to be measured and reported to A.R.M. (USA), Inc. for review and possible repair advise.

Under no circumstances shall the ride operate with damaged tower tube members unless authorized, in writing, by A.R.M. (USA), Inc.

It is also recommended that the lift hooks and related components be inspected for excessive wear, proper alignment and balanced engagement to the passenger carriage. Proper maintenance and operation of the lift hook system will prevent structural damage and ensure safe operation.

Direct all inspection procedure questions and results to: Mike Gill  
 740.632.6815 Mobile  
[mike@armrides.com](mailto:mike@armrides.com)

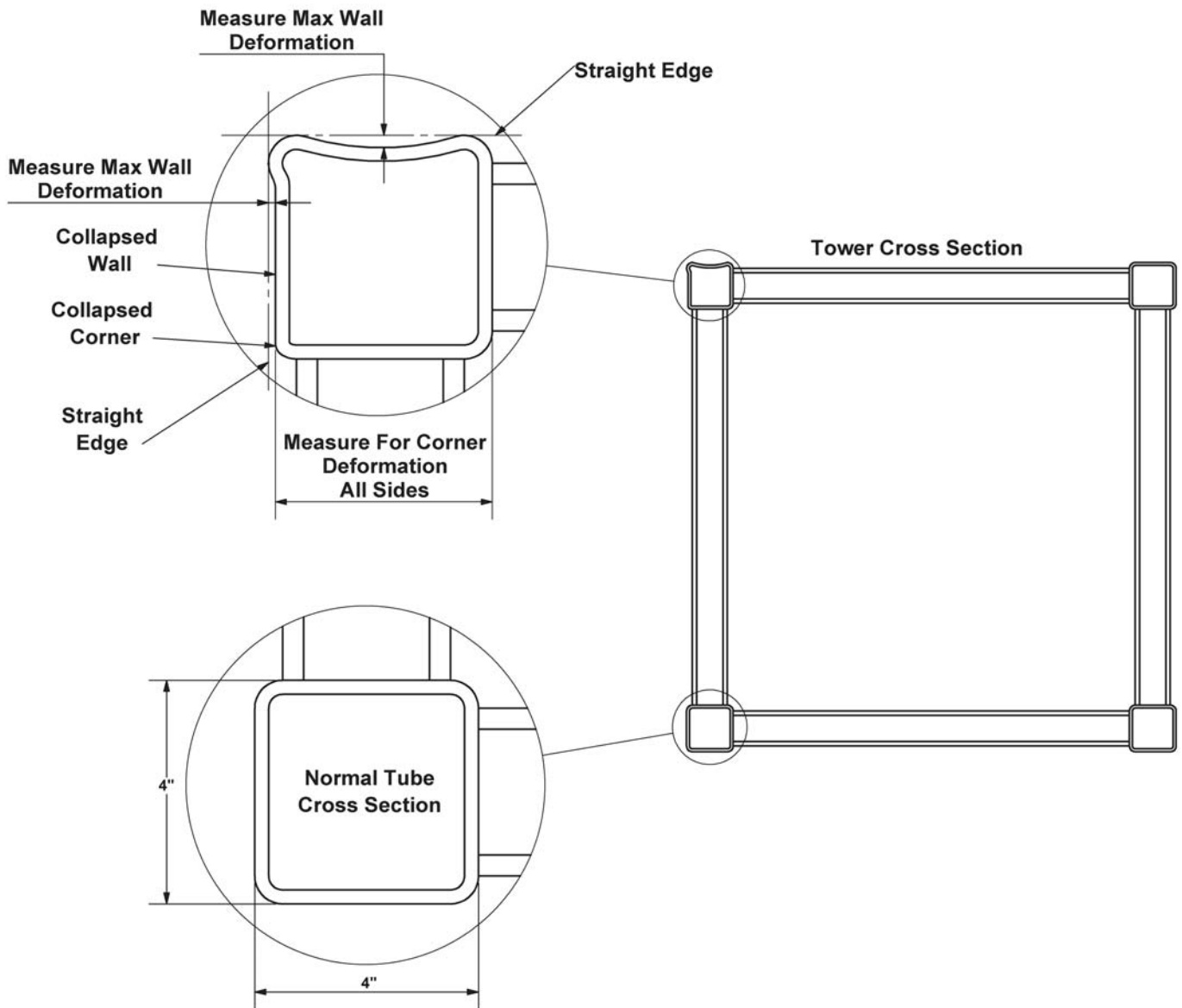
### NOTICE

ONLY COMPONENTS SPECIFIED, AUTHORIZED, OR PROVIDED BY A.R.M. (US), INC. SHALL BE USED  
 A.R.M. (US) INC. SPECIFICALLY DISCLAIMS ANY LIABILITY ASSOCIATED WITH THE USE OF  
 UNAUTHORIZED COMPONENTS OR MODIFICATIONS AND/OR ALTERATIONS OF AUTHORIZED COMPONENTS.



**A.R.M. (USA), INC**  
1506 Fernwood Rd.  
Wintersville, OH 43953  
740.264.6599  
740.266.2953 Fax

**Bulletin No: SA20170222**  
**Release Date: Feb 22, 2017**  
**Effective Date: Feb 22, 2017**  
**Supersedes: N/A**  
**Completion Date: Immediate**  
**Page: 2 of 3**





**A.R.M. (USA), INC**  
 1506 Fernwood Rd.  
 Wintersville, OH 43953  
 740.264.6599  
 740.266.2953 Fax

**Bulletin No: SA20170222**  
**Release Date: Feb 22, 2017**  
**Effective Date: Feb 22, 2017**  
**Supercedes: N/A**  
**Completion Date: Immediate**  
**Page: 3 of 3**

**CERTIFICATION OF COMPLIANCE**

Per instruction of this Safety Alert, a thorough visual inspection has been performed of the entire tower structure with the following results:

- Tower tube members are free of any visual deformation, excessive wear, cracks and/or water expansion bloating. Ride cleared for operation.
- Indications of structural tube member damage indicated. Ride operation ceased pending review and repair.

Ride Serial Number

Date of Inspection

Inspector Printed Name

Inspector Signature

All forms must be returned to A.R.M. (USA), INC. via:

**Email**                      armbulletin@armrides.com

**Fax**                              740.266.2953

**Postal Service**  
 A.R.M. (USA), Inc.  
 1506 Fernwood Rd.  
 Wintersville, OH 43953

With Tower Wings Extended, Visually Inspect Entire Length Of The Tower & Measure Depth Of Any Tube Deformation. Indicate Position & Extent Of Most Severe Deformation And Return This Page To A.R.M. (USA), INC. For Repair Advise.



REPAIR TO TOWER STRUCTURE IS NOT RECOMMENDED OR APPROVED UNLESS SPECIFIED, IN WRITING, BY A.R.M. (USA), INC.

