

NAFLIC

National Association For Leisure Industry Certification

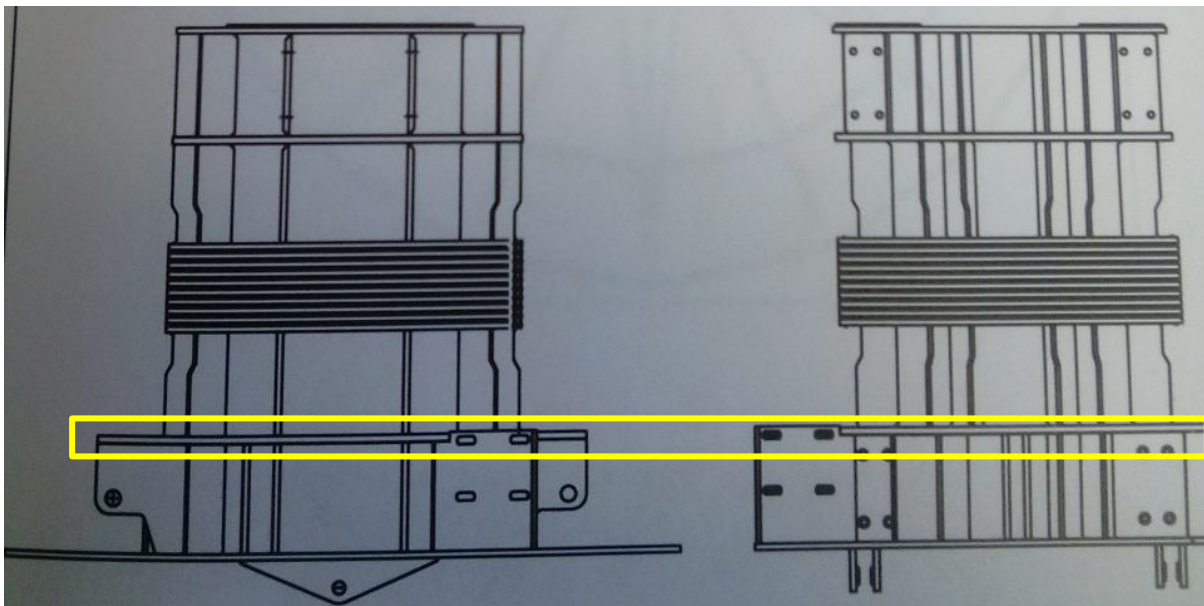
Standards & Related Documents Committee

TECHNICAL BULLETIN — June 2016

407. Lamborghini Wave Swinger cracking

We have received a report from a UK registered inspection body that numerous areas of cracking have been found on the fixed outer basket of a Wave Swinger (2012) manufactured by Lamborghini, by means of both visual and NDE inspection

The defects were located in the welds that join the vertical gussets to a horizontal plate that locates the slewing ring as indicated in the accompanying diagram.



Committee Members: Mr. D Dadswell (Chairman), Mr. A Mellor (Secretary), Mr. P Smith, Mr. J Green,
Mr. D Cox, Mr. M Thirkettle, Mr. I Davies, Mr. J Shilling & Mr. D Inman



Committee Members: Mr. D Dadswell (Chairman), Mr. A Mellor (Secretary), Mr. P Smith, Mr. J Green,
Mr. D Cox, Mr. M Thirkettle, Mr. I Davies, Mr. J Shilling & Mr. D Inman