



WISDOM ¹³⁻¹²
INDUSTRIES, Ltd.

SAFETY BULLETIN

DATE: DECEMBER 13, 2000
RIDE: ADULT DRAGON, ORIENT EXPRESS
**SUBJECT: RODEND COUPLER ROLL PIN
INSTALLATION**
COMPLIANCE DATE: INSPECTION IMMEDIATE
COMPLETION DATE: 2 WEEKS

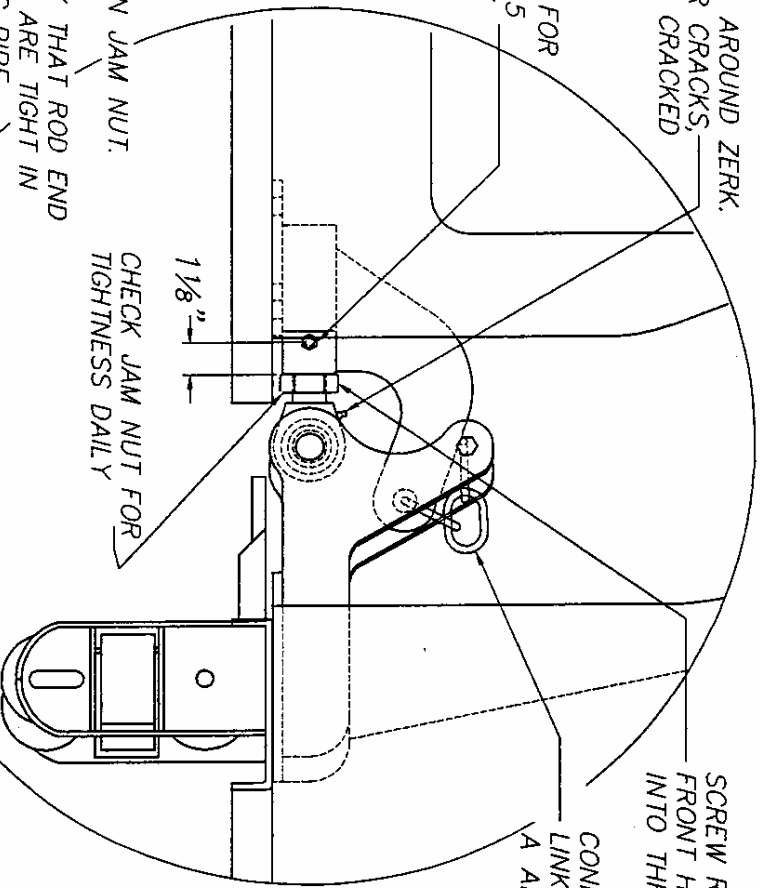
1. Detach rodend eye from rear of car
2. Turn Jam nut until it is next to eye of rodend.
3. Screw rodend into front hitch threaded mount till threads bottom on jam nut.
4. Turn rodend out only enough to make the eye vertical and grease zerk is up.
5. Tighten jam nut.
6. Reattach rodend to rear of car with original 1" bolt. Use new lock nut.
7. Tighten 1" bolt and lock nut.
8. Run ride and check for clearance between cars in turns.
 - ◆ **NOTE: IF THERE IS NOT ADEQUATE CLEARANCE BETWEEN CARS CALL FOR AN EXTENDED FRONT HITCH MOUNT.**
9. Check for clearance between car rear bracket and shank of rodend. (See drawing)
10. If bracket is hitting rodend shank grind edge of rear bracket for clearance.

11. Measure 1 1/8" from where jam nut touches front hitch threaded mount. (See Drawing)
12. Cross drill threaded coupler mount for a 5/16 " bolt.
13. Install a 5/16 X 3" grade 5 bolt and lock nut and tighten.
14. Repeat for other rodends.

CLEAN AREA AROUND ZERK.
INSPECT FOR CRACKS,
REPLACE OF CRACKED

CROSS DRILL FOR
5/16 GRADE 5
BOLT & LOCK
NUT.


1. LOOSEN JAM NUT.
2. CHECK THAT ROD END
THREADS ARE TIGHT IN
MOUNTING PIPE.
3. TIGHTEN JAM NUT.



SCREW ROD END INTO
FRONT HITCH COMPLETELY
INTO THREADED HOUSING.

CONNECTED WITH 2
LINKS OF CHAIN AND
A ANCHOR SHACKLE

1 1/8"
CHECK JAM NUT FOR
TIGHTNESS DAILY

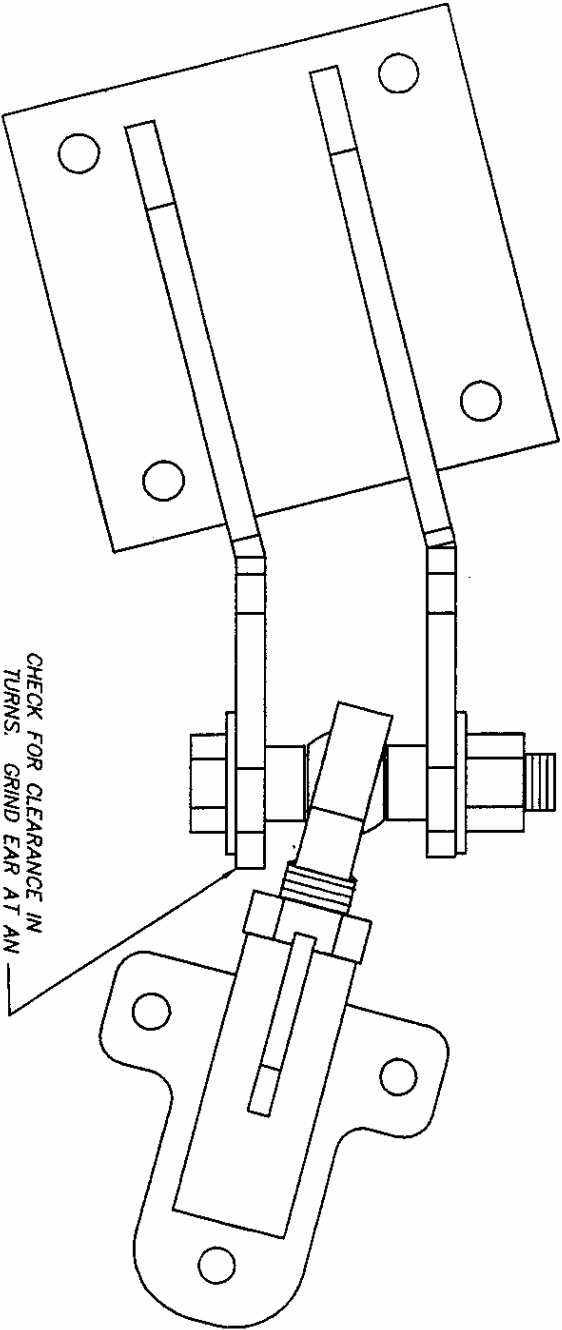
 **WISDOM
INDUSTRIES** Merino, CO 80741



SCALE: NTS
DATE: 12-14-00
APPROVED BY: *[Signature]*
DRAWN BY: JJR

DESCRIPTION
CAR HITCH MODIFICATION

EQUIPMENT:
COASTERS
DRAWING NUMBER:
HITCH MOD

CHECK FOR CLEARANCE IN
TURNS. GRIND EAR AT AN
ANGLE TO CLEAR ROD END
SHANK.



 WISDOM INDUSTRIES Merino, CO 80741	
SCALE: NTS	APPROVED BY: 
DATE: 12-14-00	DRAWN BY: JLR
DESCRIPTION: CAR HITCH	REVISED
EQUIPMENT: COASTERS	DRAWING NUMBER: HITCH MOD 1

DEC 14, 2000 - 16:09:38 < L: \COASTERS\COASTER HITCH_M001.DWG >