



Number: B106R1040-0

Date: June 7, 1989

SERVICE BULLETIN

Effective Serial Number: All Units

Ride: ZIPPER

Subject: Inspection and Rework Of
Seat Support Frames

WARNING: FAILURE TO COMPLY WITH THIS SERVICE BULLETIN CAN
RESULT IN FAILURE OF THE SEAT SUPPORT FRAMES, CAUSING IN-
JURY TO PASSENGERS, AND/OR BYSTANDERS.

It has been determined by CHANCE RIDES, INC. that cracks can develop in ZIPPER seat support frames.

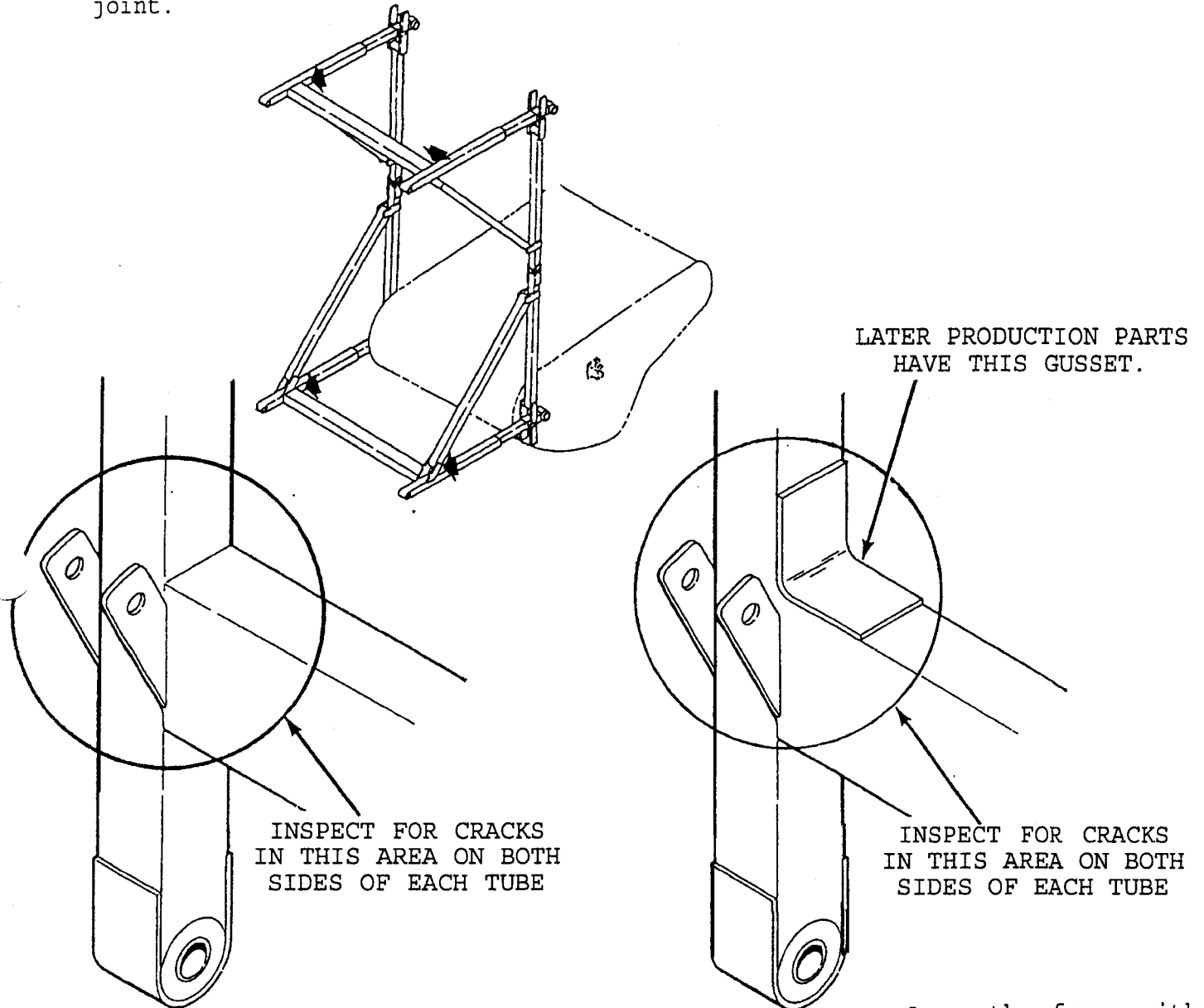
All owners of ZIPPER amusement rides are required to inspect their rides and if necessary, perform the rework described in this bulletin.

Perform the inspection using the instructions on the following pages of this bulletin. If rework is required, order Kit No. K05-0344-00 and install the kit using the instructions provided. The inspection and all work must be performed by qualified personnel, capable of understanding the function of the parts and their proper installation.

Return the attached Certification Of Compliance within 15 days from receipt of the bulletin. If there are any questions regarding the instructions or this inspection, contact the CHANCE CUSTOMER SERVICE DEPARTMENT.

INSPECTION PROCEDURE

Check each seat support frame (12 per ride) for cracks as shown in the following illustration. Inspect the weld and the tubing near the welded joint.



- If a crack is found in a seat support frame, replace the frame with a new part. Do not attempt to weld or otherwise repair a cracked seat support frame. **DO NOT OPERATE THE RIDE.**
- If no cracks are present, and the seat support frame does not have the reinforcing gusset, order Kit No. K05-0344-00. Install the kit using the following instructions.

IMPORTANT: Perform this inspection monthly or at every set-up, whichever occurs first.

PARTS LIST

The following parts are included in Kit No. K05-0344-00,
to rework one complete ride (12 seat support frames).

<u>Part Number</u>	<u>Description</u>	<u>Qty.</u> <u>Reqd.</u>
305-3191400	GUSSET - Seat Support Frame (1062500-032) 24

REWORK INSTRUCTIONS

All seat support frames must have the reinforcing gusset like later productions parts. Locate and weld the gusset two places on the seat support frame as shown.

