



CHANCE RIDES, INC.
4219 Irving
Wichita, KS 67277-2328
U.S.A.
Phone: 1-800-242-6231 • FAX: 1-316-942-7416
Website: www.rides.com
E-mail: rides@rides.com

Bulletin No: B414R1223-0
Release Date: July 9, 1999
Effective Date: July 9, 1999
Supersedes: N/A
Completion Date: August 9, 1999
Page: 1 of 4

SERVICE BULLETIN

Ride Manufacturer: CHANCE RIDES, INC. Affected Production Dates: All

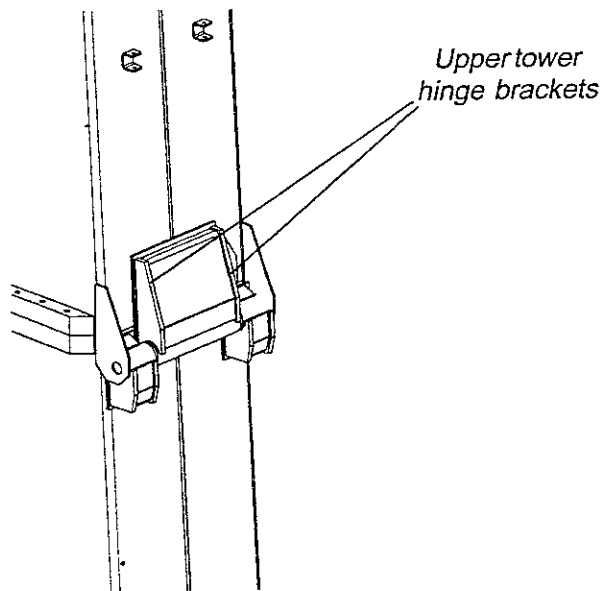
Ride Name: INVERTER (Portable Model) Affected Serial Nos.: All units

Model No.: 414

Abstract of Issue:
Tower Hinge Bracket Inspection and Rework

Reason For Release:

Chance Rides, Inc. has become aware that cracks can develop in the tower hinge area of the above noted INVERTER amusement rides. The areas where the cracks can occur are the welded joints for the upper tower hinge bracket. If these welds break, the tower can fall during the set-up or tear-down procedure, when the tower is being raised or lowered. This can possibly result in personal injury to set-up personnel and/or bystanders. A kit has been developed to reinforce the tower hinge brackets.





CHANCE RIDES, INC.
4219 Irving
Wichita, KS 67277-2328
U.S.A.
Phone: 1-800-242-6231 • FAX: 1-316-942-7416
Website: www.rides.com
E-mail: rides@rides.com

Bulletin No:	B414R1223-0
Release Date:	July 9, 1999
Effective Date:	July 9, 1999
Supersedes:	N/A
Completion Date:	August 9, 1999
Page:	2 of 4

Ride Manufacturer: CHANCE RIDES, INC. Affected Production Dates: All

Ride Name: INVERTER (Portable Model) Affected Serial Nos.: All units

Model No.: 414

Action to be taken (continued):

Chance Rides, Inc. requires all owner/operators to visually inspect and rework the upper tower hinge brackets as outlined in this bulletin.

If indications are found in the hinge brackets or surrounding area, contact the Chance Customer Service Department for specific repair instructions. **DO NOT ATTEMPT TO SET-UP OR TEAR-DOWN THE RIDE IF CRACKS ARE FOUND IN THE HINGE AREA.**

If no indications are found, order and install the Tower Hinge Bracket Rework Kit, number K414R1223-0. This kit includes all necessary parts to rework one complete ride, with complete instructions for installation. **DO NOT INSTALL THIS KIT IF THERE ARE CRACKS IN THE TOWER HINGE AREA UNTIL REPAIRS SPECIFIED BY THE MANUFACTURER ARE MADE.**

The kit will be offered at no charge if ordered within 30 days of the release date of this bulletin.

All work must be performed by qualified personnel, capable of understanding the function of the parts and their proper installation.

NOTICE

Use only those components authorized, specified or provided by Chance Rides, Inc.

Chance Rides, Inc. **SPECIFICALLY DISCLAIMS ANY LIABILITY** for losses associated with any unauthorized alterations and/or modifications or additions and installations of unauthorized components.



CHANCE RIDES, INC.
4219 Irving
Wichita, KS 67277-2328
U.S.A.
Phone: 1-800-242-6231 • FAX: 1-316-942-7416
Website: www.rides.com
E-mail: rides@rides.com

Bulletin No:	B414R1223-0
Release Date:	July 9, 1999
Effective Date:	July 9, 1999
Supersedes:	N/A
Completion Date:	August 9, 1999
Page:	3 of 4

Ride Manufacturer: CHANCE RIDES, INC. Affected Production Dates: All

Ride Name: INVERTER (Portable Model) Affected Serial Nos.: All units

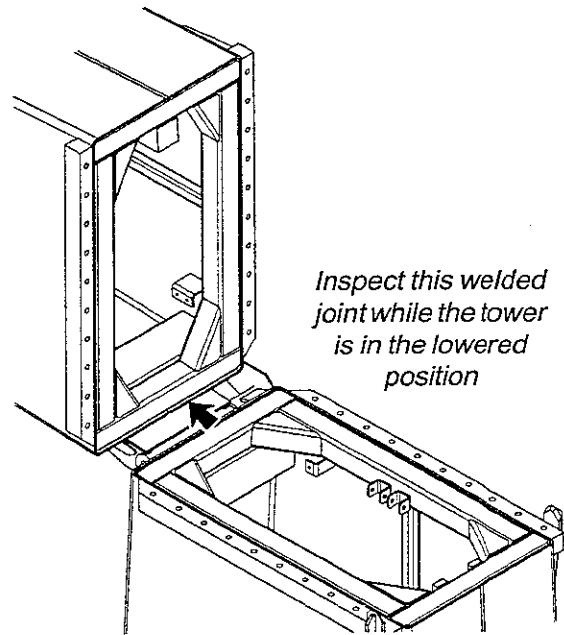
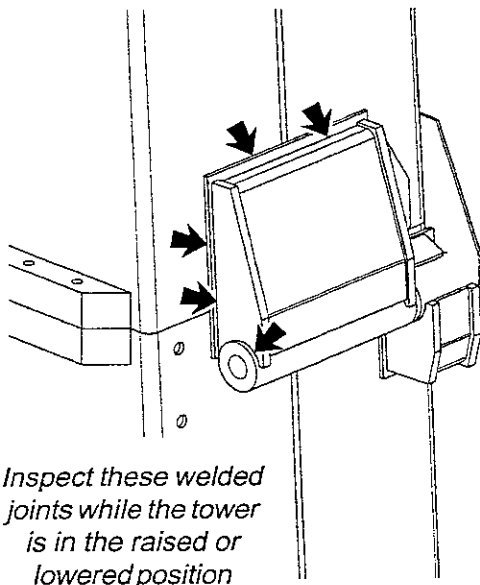
Model No.: 414

Action to be taken (continued):

Inspection Procedure - Tower Hinge Brackets Without Rework Kit K414R1223-0

Perform the following inspection before every set-up and tear-down until the rework kit has been installed.

1. Visually inspect the welds in the area where the tower hinge brackets attach to the tower as shown.
2. If cracks are found, contact the Chance Customer Service Department for specific repair instructions prior to installation of the rework kit. **DO NOT ATTEMPT TO SET-UP OR TEAR-DOWN THE RIDE IF CRACKS ARE FOUND IN THE HINGE AREA.**
3. If no cracks are found, order and install the Upper Tower Hinge Bracket Rework Kit (K414R1223-0) using the instructions provided with the kit.





CHANCE RIDES, INC.
4219 Irving
Wichita, KS 67277-2328
U.S.A.
Phone: 1-800-242-6231 • FAX: 1-316-942-7416
Website: www.rides.com
E-mail: rides@rides.com

BulletinNo:	B414R1223-0
Release Date:	July 9, 1999
Effective Date:	July 9, 1999
Supersedes:	N/A
Completion Date:	August 9, 1999
Page:	4 of 4

Ride Manufacturer: CHANCE RIDES, INC. Affected Production Dates: All

RideName: INVERTER (Portable Model) Affected SerialNos.: All units

Model No.: 414

Action to be taken (continued):

Inspection Procedure - Tower Hinge Brackets With Rework Kit K414R1223-0 Installed

Perform the following inspection at every set-up

1. Visually inspect the welds in the tower hinge areas shown.
2. If cracks are found, contact the Chance Customer Service Department immediately. **DO NOT ATTEMPT TO SET-UP OR TEAR-DOWN THE RIDE IF CRACKS ARE FOUND IN THE HINGE AREA.**

