



NUMBER: B400R1030-0

DATE: Nov. 30, 1988

SUPERSEDES:

---

---

## SERVICE BULLETIN

---

---

Effective Serial Number: 400-001-88 and 400-002-88

Ride: GIANT GONDOLA WHEEL

Subject: Retainer Clips For Rim Iron  
Light Bar Jumper Cables

It has come to the attention of CHANCE RIDES, INC. that, during operation of the GIANT WHEEL, the jumper cables between the rim iron light bars can come in contact with the T-bars and gondola canopies, causing abrasion of the insulation on the cables.. If the wear is severe enough, an electrical shock hazard can result. A retainer clip has been developed to securely hold the jumper cables away from moving parts.

THE OWNERS OF GIANT GONDOLA WHEEL AMUSEMENT RIDES WITH THE ABOVE NOTED SERIAL NUMBERS ARE REQUIRED TO PERFORM THE REWORK DESCRIBED IN THIS BULLETIN.

Perform the rework using the installation instructions on the reverse side of this bulletin and the parts provided. Return the attached Certification Of Compliance for the rework within fifteen (15) days from receipt of this bulletin.

All work must be performed by competent, qualified mechanics, capable of understanding the function of the parts and their proper installation. If there are any questions regarding the instructions or this rework, contact the CHANCE CUSTOMER SERVICE DEPARTMENT.

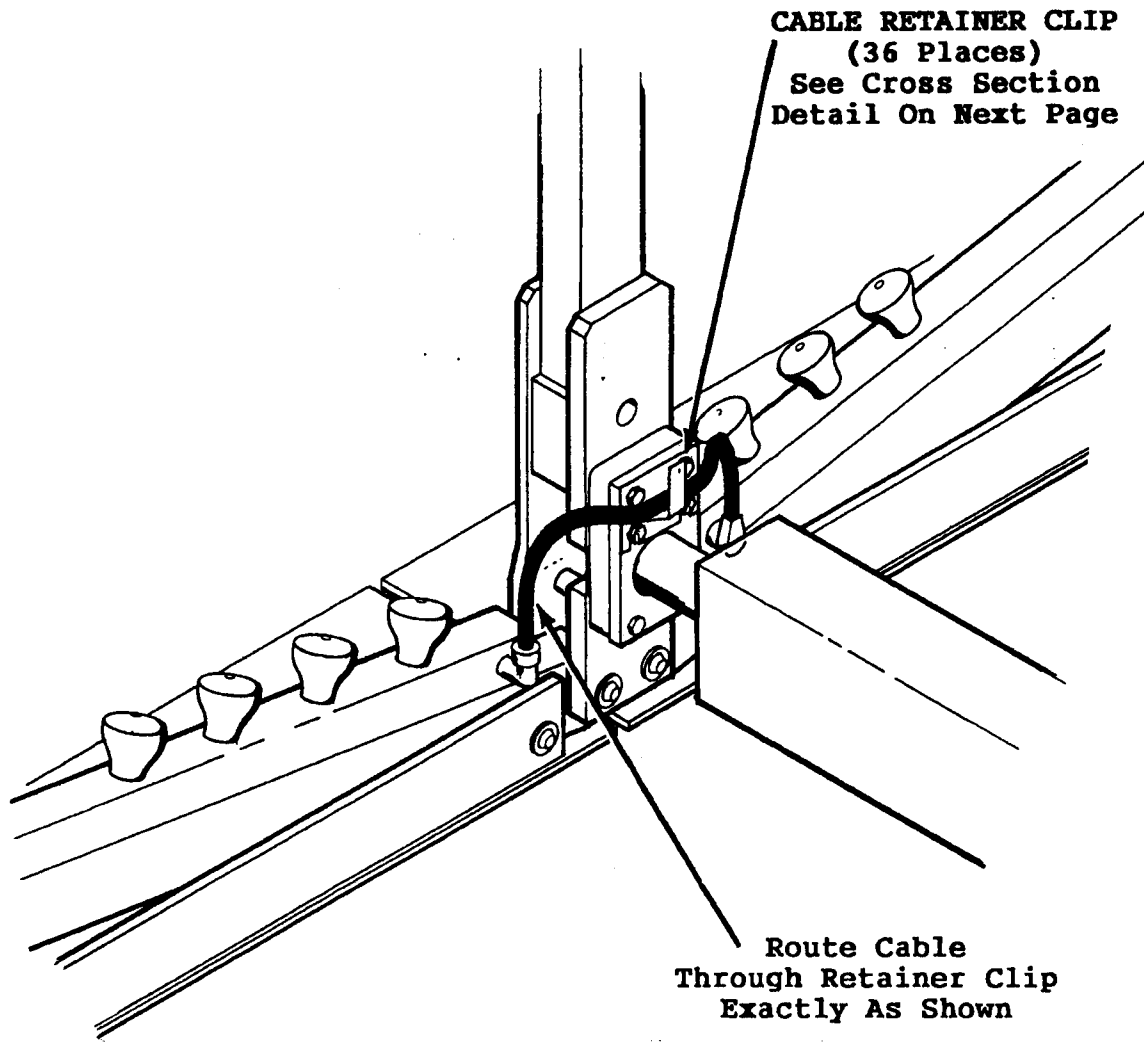
The following parts are included in Kit No. K400R1026-1:

JUMPER CABLE RETAINER CLIP KIT

<u>Item</u> <u>No</u>	<u>Part Number</u>	<u>Description</u>	<u>Qty.</u> <u>Reqd.</u>
1	377-1675300	CLIP - Cable Retainer (4001429-001)	... 36

INSTALLATION INSTRUCTIONS

NOTE: DO NOT INSTALL CABLE RETAINER CLIPS FOR CABLES WHICH CONNECT TO RECEPTACLES ON THE SWEEPS.



Loosen Existing Capscrews To  
Install Cable Retainer Clip  
Under Existing Hardened Washers.  
Tighten Capscrews To 50-60 ft-lbs.

