



NUMBER: B391R1086-0

DATE: OCT. 12, 1990

SUPERSEDES:

SERVICE BULLETIN

Effective Serial Number: All Units - Chance Rides, Inc.
All Units - Chance Manufacturing Co., Inc.

Chance Rides, Inc. SPECIFICALLY DISCLAIMS ANY LIABILITY for losses associated with rides produced by Chance Manufacturing Company, Inc.

Ride: FALLING STAR Subject: Vehicle Doubler Kit

Chance Rides, Inc. has developed two kits for the FALLING STAR amusement ride. These kits reinforce the vehicle frame. Chance Rides, Inc. requires all owners of FALLING STARS to install these kits.

Order Kit #K391R1086-0 and Kit #K391R1088-0, which includes the parts necessary to modify one ride. Install the parts using the instructions provided with the kits and return the attached Certification of Compliance within 15 days after receipt of the kits.

PARTS LISTS

KIT NUMBER K391R1086-0

<u>Part Number</u>	<u>Description</u>	<u>Quantity</u>
391-120-096	Doubler Plate	8
K391R1086-0	Drawing	1

KIT NUMBER K391R1088-0

<u>Part Number</u>	<u>Description</u>	<u>Quantity</u>
391-124-016	Doubler Plate	2
K391R1088-0	Drawing	1

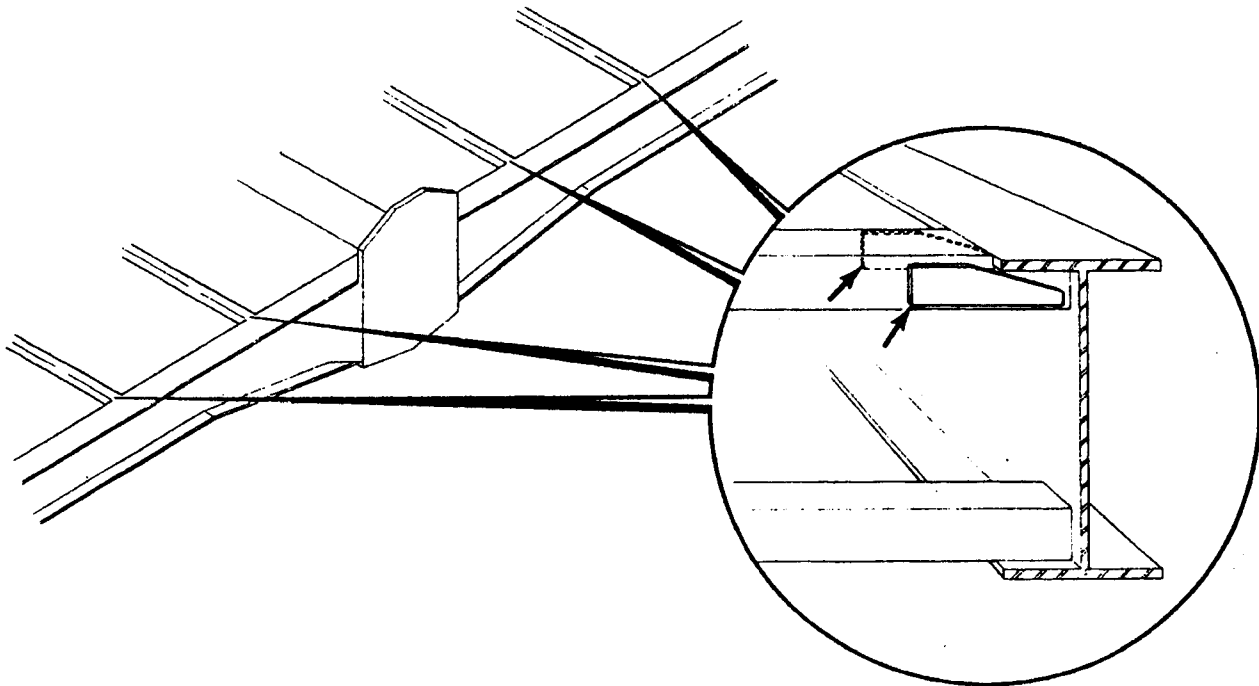
All work must be performed by qualified personnel, capable of understanding the function of the parts and their proper installation.

NOTICE

Use only those components authorized, specified or provided by Chance Rides, Inc.

Chance Rides, Inc. SPECIFICALLY DISCLAIMS ANY LIABILITY for losses associated with any unauthorized alterations and/or modifications or additions and installations of unauthorized components.

Kit No. K391R1086 -0 (Installed on rear of vehicle frame)



Kit No. K391R1088 -0 (Installed on rear of vehicle frame)

