



NUMBER: B391R1033-0

DATE: March 22, 1989

SUPERSEDES:

SERVICE BULLETIN

Effective Serial Number: 391-005-86 and 391-006-86

Ride: FALLING STAR

Subject: Seat Guard Rail

A modification kit has been developed to decrease the clearance between the lap bar and the seat, increasing the security of the passenger restraint system. The modification consists of mounting a guard rail to the seat.

As a safety precaution, CHANCE RIDES, INC. requires that all FALLING STAR amusement rides be equipped with this guard rail. Owners of FALLING STAR amusement rides with the above noted serial numbers are required to perform the modification described in this bulletin.

Order kit number K75-0336-00, which includes the parts necessary to modify one ride. Install the parts using the instructions provided on the following pages of this bulletin. Fill out the attached Certification Of Compliance for the modification within 15 days of receipt of the kit.

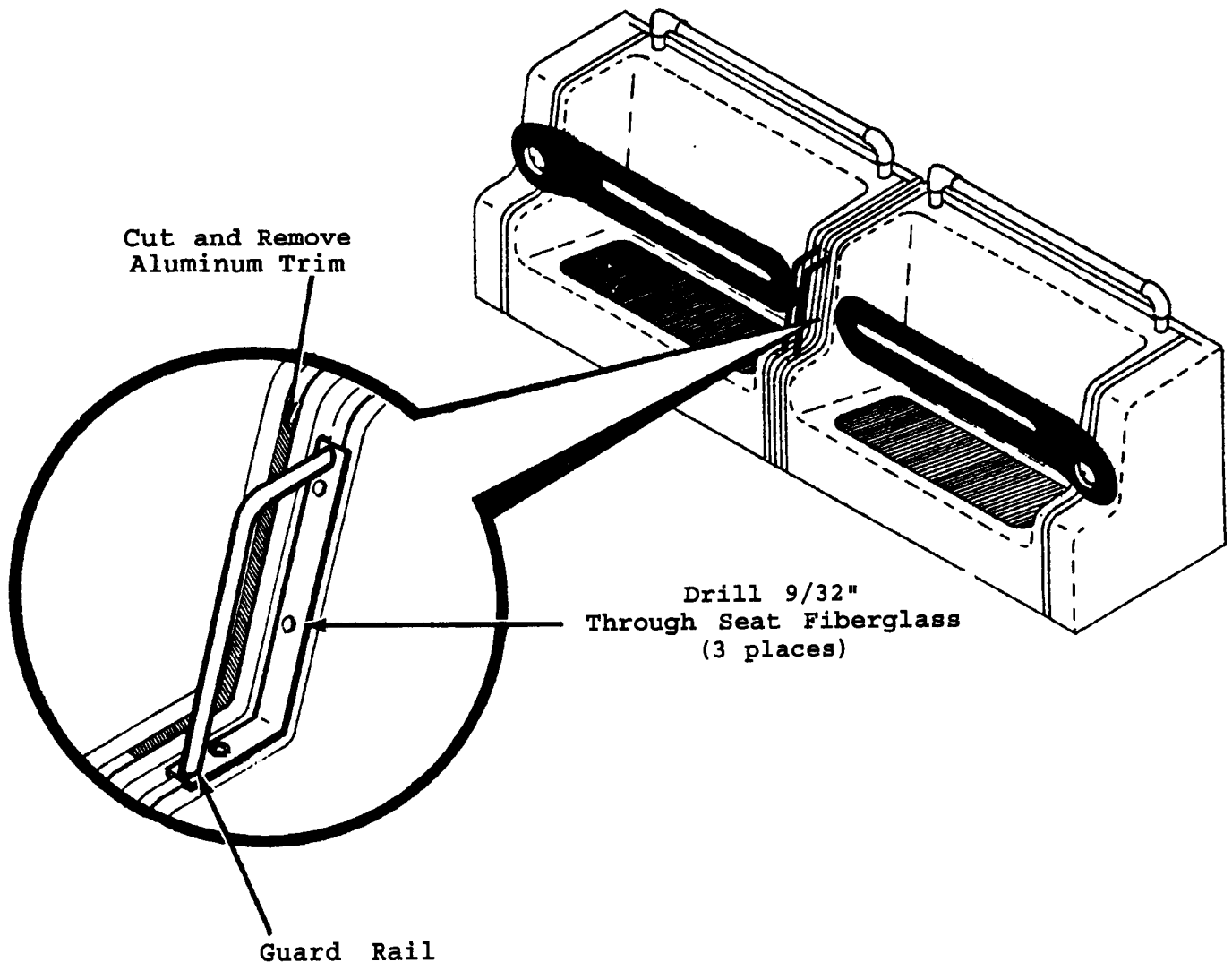
PARTS LIST - Seat Hand Rail Kit No. K75-0336-00
(consists of the following parts)

<u>Item</u>	<u>Part No.</u>	<u>Description</u>	<u>Qty.</u>
1	375-3162300	HAND RAIL (391-153-001)	20
2	686-1144200	CAPSCREW - Truss Head (1/4-20 x 1)	60
3	691-4780800	LOCK NUT (1/4-20)	60
4	696-8530000	WROUGHT WASHER (1/4)	60
5	681-6141000	POP RIVET - AD56ABS 5/32 Dome Head	40

All work must be performed by competent, qualified mechanics, capable of understanding the function of the parts and their proper installation. If there are any questions regarding the instructions or this rework, contact the CHANCE CUSTOMER SERVICE DEPARTMENT.

INSTALLATION INSTRUCTIONS

1. Position the guard rail on a seat as shown. Mark the aluminum seat trim flush with each end of the guard rail.
2. Cut the aluminum trim at both marks. Drill out the rivets and remove the section of trim.
3. Use the guard rail (Item #1) to mark the hole locations on the seat. Drill $9/32$ " through the seat fiberglass three places.
4. Mount the guard rail using the capscrews, wrought washers and locknuts (Items #2, #3 and #4) as shown.
5. Secure the ends of the aluminum trim with pop rivets (Item #5) as shown.
6. Repeat the procedure on the remaining 19 seats.



Drill #20
1/2" from end
of trim. Install
pop rivets provided

