



CHANCE RIDES MANUFACTURING, INC.
4200 Walker
Wichita, KS 67277-2328
U.S.A.
Phone: 1-316-942-7411 • FAX: 1-316-942-2012
Website: www.rides.com
E-mail: rides@rides.com

Bulletin No:	B408CRM115-0
Release Date:	May 9, 2003
Effective Date:	Immediately
Supersedes:	B408CRM110-0
Completion Date:	N/A
Page:	1 of 4

SERVICE BULLETIN

Ride Manufacturer: CHANCE RIDES, INC.

Affected Production Dates: All

Ride Name: CHAOS

Affected Serial Nos.: All Units

Model No.: 408

Abstract of Issue:
Sweep Inspection

Reason For Release:

Service bulletin B408CRM110-0 is superseded by this bulletin and is no longer in effect.

Chance Rides Manufacturing, Inc. has become aware of cracks in the sweeps of at least one CHAOS amusement ride. A kit has been developed to repair and reinforce the sweeps in the event that cracks develop. The kit is not required unless indications are found on one or more sweeps.

Action to be Taken:

Chance Rides Manufacturing, Inc. requires all owner/operators of the above noted CHAOS amusement rides to immediately inspect all sweeps as described in this bulletin. The inspection must be performed weekly.

All work must be performed by qualified personnel, capable of understanding the function of the parts and their proper installation. Use only those components authorized, specified or provided by Chance Rides Manufacturing, Inc. All applicable OSHA safety standards and safe industry practices must be observed.

Observe all safety information contained in the manufacturer's manuals. Make available this bulletin and all related technical information to personnel using the equipment.

Chance Rides Manufacturing, Inc. issues notifications for the benefit of owners of amusement rides manufactured by Chance Rides Manufacturing, Inc. As a service to the industry, and in the interest of employee and public safety, Chance Rides Manufacturing, Inc. also issues notifications for the benefit of owners of amusement ride equipment for which the manufacturer no longer exists, such as the Allan Herschell Company, Chance Manufacturing Co., Inc., Chance Rides, Inc., etc. In doing so, Chance Rides Manufacturing, Inc. does not assume liability for losses associated with amusement ride equipment built by manufacturers other than Chance Rides Manufacturing, Inc.



CHANCE RIDES MANUFACTURING, INC.
4200 Walker
Wichita, KS 67277-2328
U.S.A.
Phone: 1-316-942-7411 • FAX: 1-316-942-2012
Website: www.rides.com
E-mail: rides@rides.com

Bulletin No:	B408CRM115-0
Release Date:	May 9, 2003
Effective Date:	Immediately
Supersedes:	B408CRM110-0
Completion Date:	N/A
Page:	2 of 4

Ride Manufacturer: CHANCE RIDES, INC. Affected Production Dates: All

Ride Name: CHAOS Affected Serial Nos.: All Units

Model No.: 408

Detail of Issue (continued):

Sweep Inspection Procedure

Visually inspect every sweep for cracks as shown in the illustration on the next page, paying particular attention to the areas indicated by arrows. Look for indications in the steel tubes, and check the welded joints for indications in the welds and the parent metal.

NOTE: *Some rides have been reworked per Service Bulletin B408CRM110-0. The inspection described in this bulletin applies to ALL RIDES, whether they have been reworked or not.*

IF NO INDICATIONS ARE FOUND, the ride can be operated normally. The sweeps must be inspected weekly as described in this bulletin.

IF ANY INDICATIONS ARE FOUND, do not operate the ride. Contact the Customer Service Department at Chance Rides Manufacturing, Inc. immediately for instructions on the necessary repair procedure. The repair will include the installation of the Sweep Reinforcement Kit (number K408CRM115-0), as well as specific instructions for repairing cracks.

DO NOT ATTEMPT TO WELD OR OTHERWISE REPAIR THE SWEEPS EXCEPT AS SPECIFICALLY INSTRUCTED BY CHANCE RIDES MANUFACTURING, INC.

After the Sweep Reinforcement Kit is installed, the sweeps must be inspected annually as described in this bulletin.

NOTE: *The installation of the Sweep Reinforcement Kit can be visually identified as shown in the illustration on page 4 of this bulletin.*



CHANCE RIDES MANUFACTURING, INC.
4200 Walker
Wichita, KS 67277-2328
U.S.A.
Phone: 1-316-942-7411 • FAX: 1-316-942-2012
Website: www.rides.com
E-mail: rides@rides.com

Bulletin No:	B408CRM115-0
Release Date:	May 9, 2003
Effective Date:	Immediately
Supersedes:	B408CRM110-0
Completion Date:	N/A
Page:	3 of 4

Ride Manufacturer: CHANCE RIDES, INC.

Affected Production Dates: All

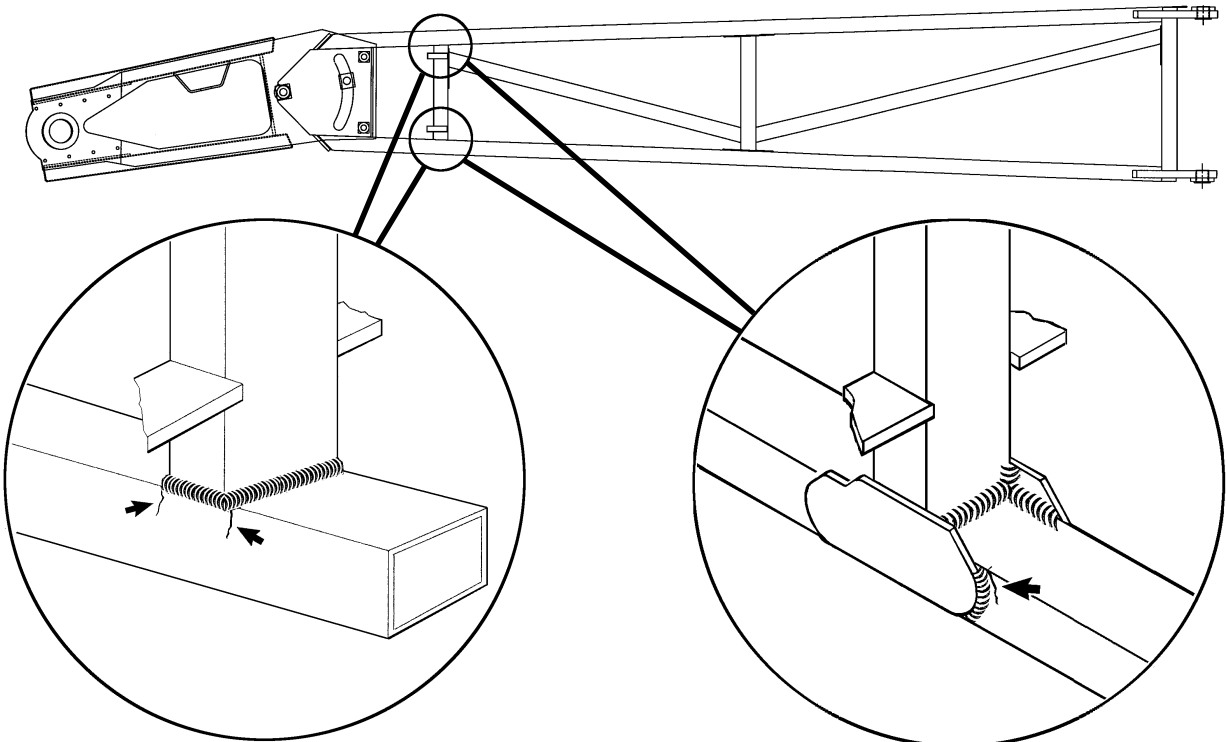
Ride Name: CHAOS

Affected Serial Nos.: All Units

Model No.: 408

Detail of Issue (continued):

NOTE: Sweep configuration may vary slightly from that shown.



**Rides that have NOT been
reworked per Service Bulletin
B408CRM110-0**

**Rides that HAVE been
reworked per Service Bulletin
B408CRM110-0**

Pay particular attention to this area on both the top and bottom tubes of each sweep.

Perform this inspection WEEKLY.



CHANCE RIDES MANUFACTURING, INC.
4200 Walker
Wichita, KS 67277-2328
U.S.A.
Phone: 1-316-942-7411 • FAX: 1-316-942-2012
Website: www.rides.com
E-mail: rides@rides.com

Bulletin No:	B408CRM115-0
Release Date:	May 9, 2003
Effective Date:	Immediately
Supersedes:	B408CRM110-0
Completion Date:	N/A
Page:	4 of 4

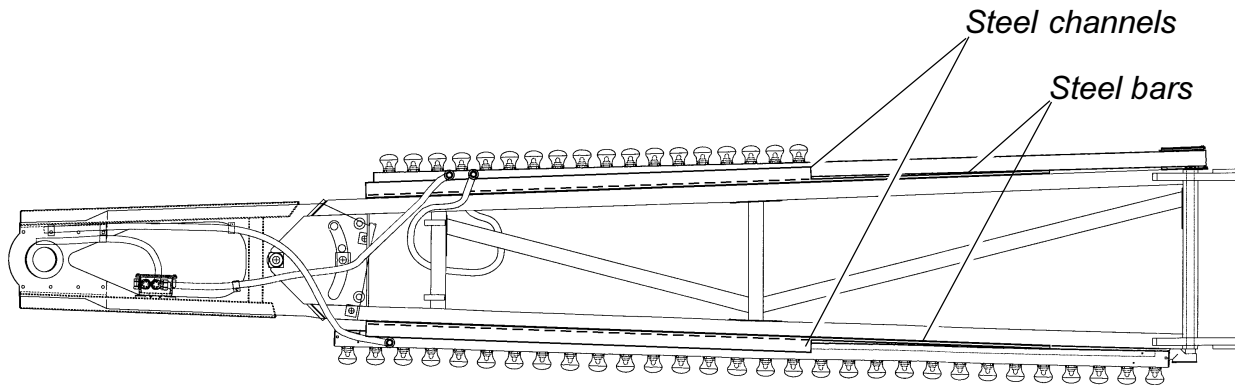
Ride Manufacturer: CHANCE RIDES, INC. Affected Production Dates: All

Ride Name: CHAOS Affected Serial Nos.: All Units

Model No.: 408

Detail of Issue (continued):

Installation of the Sweep Reinforcement Kit (K408CRM115-0) can be visually verified by the channels and bars welded to the upper and lower tubes of every sweep as shown.



On rides with the Sweep Reinforcement Kit installed, perform the inspection described in this bulletin ANNUALLY.