



NUMBER: P406R1156-0

DATE: AUG. 1, 1994

SUPERSEDES:

PRODUCT IMPROVEMENT NOTICE

Effective Serial Number: 40600193 through 40601894

Ride: CENTURY WHEEL

Subject: Spreader Bar Handling
Platform

Chance Rides, Inc. has designed and is now offering a Spreader Bar Handling Platform Kit. This kit, number K406R1156-0, can be retrofitted to the above noted CENTURY WHEEL amusement rides. Each kit contains all parts and instructions necessary to rework one ride.

When this kit is properly installed and used, two persons can carry the spreader bars directly from their racked position at the front of the trailer to their installation position on the sweeps, without leaving the trailer deck. This will save time during the set-up and tear down procedure. Kit number K406R1156-0 is being offered at a reduced price if ordered within ninety (90) days of the date on this Product Improvement Notice.

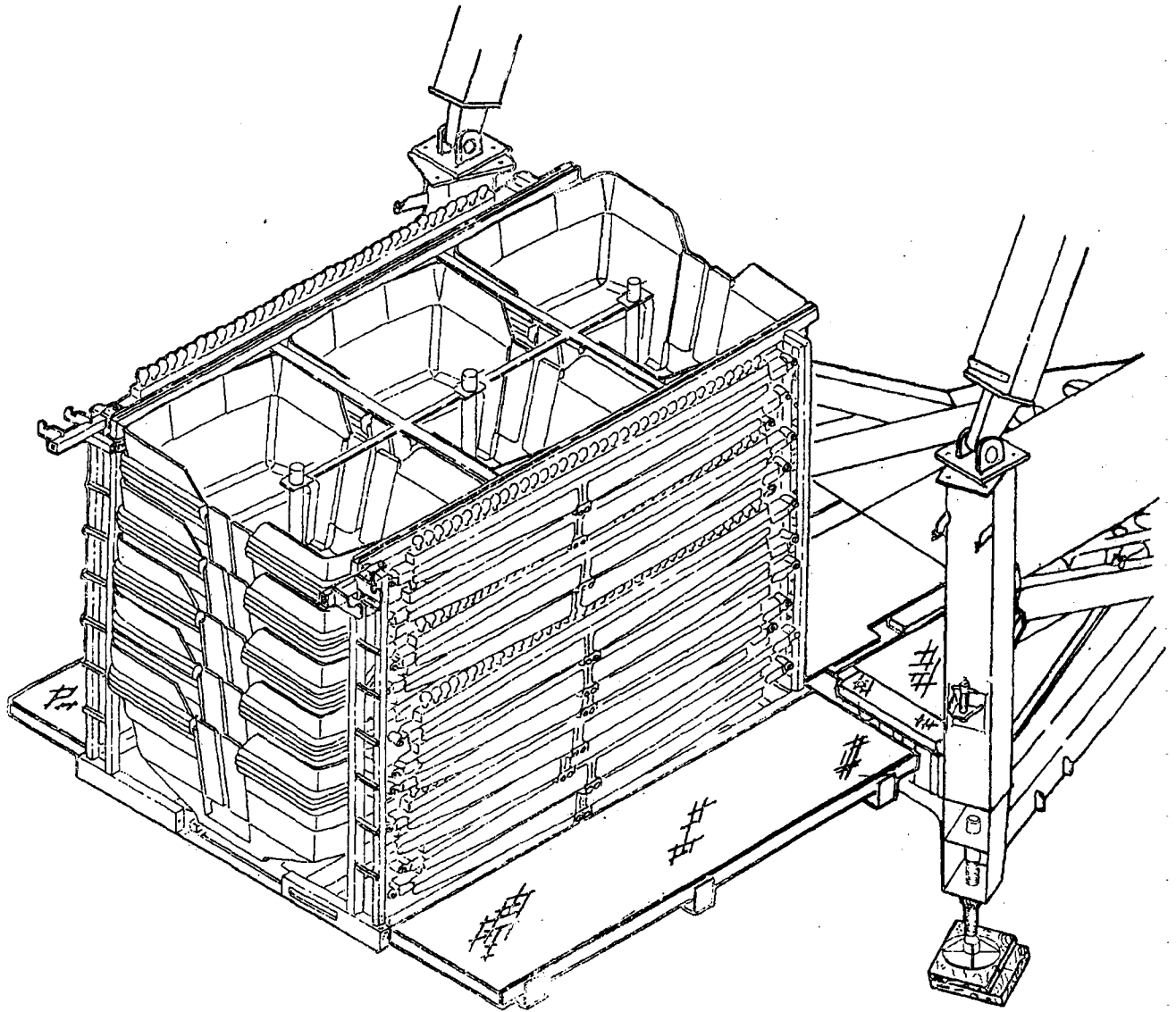
Contact the Chance Rides, Inc. Customer Service Department regarding questions concerning this product improvement notice or to order kit number K406R1156-0.

All work must be performed by qualified personnel, capable of understanding the function of the parts and their proper installation.

NOTICE

Use only those components authorized, specified or provided by Chance Rides, Inc.

Chance Rides, Inc. SPECIFICALLY DISCLAIMS ANY LIABILITY for losses associated with any unauthorized alterations and/or modifications or additions and installations of unauthorized components.



SPREADER BAR HANDLING PLATFORM