



NUMBER: B406R1141-0

DATE: OCT. 8, 1993

SUPERSEDES:

SERVICE BULLETIN

Effective Serial Number: 40600293 through 40600993

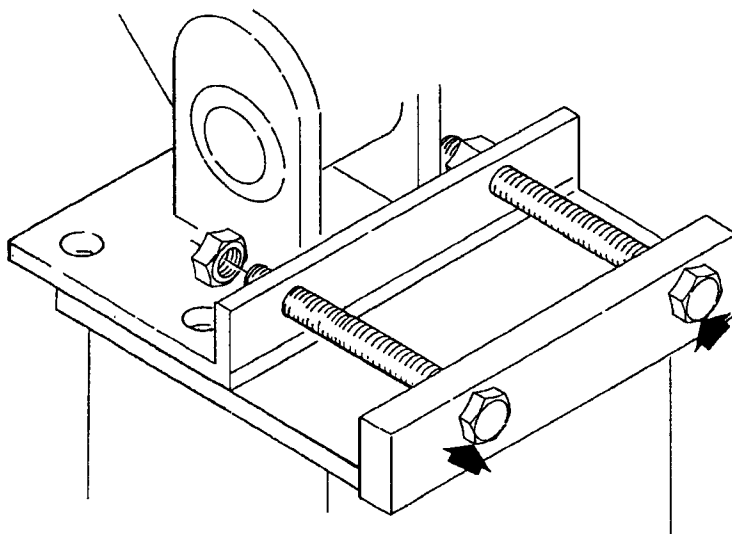
Ride: CENTURY WHEEL

Subject: Pivot Plate Draw Bolt

Chance Rides, Inc. has designed a new pivot plate draw bolt for the above noted CENTURY WHEEL amusement rides. This bolt will allow the aligning of the rear tower legs to the stub towers in one operation, as opposed to the three step process now used, making the setup of the ride more time efficient.

Chance Rides, Inc. requires all owner/operators of the above noted CENTURY WHEELS to order pivot plate draw bolt, part number 30741900 and the mating nut, part number 64752800. A quantity of four (4) each is required, two for each rear tower leg. These parts are available at no charge, if ordered within 90 days of the date on this bulletin.

instructions in the service manual for correct use of the draw bolt during setup of the ride.



All work must be performed by qualified personnel, capable of understanding the function of the parts and their proper installation.

NOTICE

Use only those components authorized, specified or provided by Chance Rides, Inc.

Chance Rides, Inc. SPECIFICALLY DISCLAIMS MY LIABILITY for losses associated with any unauthorized alterations and/or modifications or additions and installations of unauthorized components.