



CHANCE RIDES MANUFACTURING, INC.
4200 Walker
Wichita, KS 67277-2328
U.S.A.
Phone: 1-316-942-7411 • FAX: 1-316-942-2012
Website: www.rides.com
E-mail: rides@rides.com

Bulletin No:	B410CRM167-0
Release Date:	March 22, 2010
Effective Date:	Immediately
Supersedes:	N/A
Completion Date:	N / A
Page:	1 of 6

SERVICE BULLETIN

Ride Manufacturer: CHANCE RIDES, INC. Affected Production Dates: All

Ride Name: AVIATOR Affected Serial Nos.: All

Model No.: 410

Abstract of Issue:
Sweep and Hub Inspection

Reason For Release:

Chance Rides Manufacturing, Inc. has become aware of cracks in the area where the sweeps mount to the hub on at least one AVIATOR amusement ride. Failure of any of these structural components could result in serious injury to passengers and/or bystanders.

This condition can be the result of excessive clearance between the tower guides and the guide blocks on the hub. (NOTE: Some rides are equipped with guide wheels instead of guide blocks. These rides are subject to the same type of damage).

Action to be Taken:

Chance Rides Manufacturing, Inc. requires all owner/operators of the above noted AVIATOR rides to immediately perform the following:

- Check the clearance between the tower guide rails and the guide blocks (or guide wheels if ride is so equipped). Total clearance (both sides added together) is 1/4" maximum.
- Inspect the sweep and hub areas as described in this bulletin. If any indications are found, contact the Customer Service Department at Chance Rides Manufacturing, Inc. immediately for instructions on further action to be taken.

IMPORTANT: All visual inspections specified in this service bulletin must be performed by certified visual NDT personnel.

If any indication is found, DO NOT OPERATE THE RIDE. Contact the Customer Service Department at Chance Rides Manufacturing, Inc. for specific instructions on further action to be taken.

DO NOT ATTEMPT TO WELD OR OTHERWISE REPAIR THESE COMPONENTS EXCEPT AS SPECIFICALLY INSTRUCTED BY CHANCE RIDES MANUFACTURING, INC.

If no indications are found, perform the clearance check and the sweep and hub inspection ANNUALLY.



CHANCE RIDES MANUFACTURING, INC.
4200 Walker
Wichita, KS 67277-2328
U.S.A.
Phone: 1-316-942-7411 • FAX: 1-316-942-2012
Website: www.rides.com
E-mail: rides@rides.com

Bulletin No:	B410CRM167-0
Release Date:	March 22, 2010
Effective Date:	Immediately
Supersedes:	N/A
Completion Date:	N / A
Page:	2 of 6

Ride Manufacturer: CHANCE RIDES, INC. Affected Production Dates: All

Ride Name: AVIATOR Affected Serial Nos.: All

Model No.: 410

Detail of Issue

All work must be performed by qualified personnel, capable of understanding the function of the parts and their proper installation. Use only those components authorized, specified or provided by Chance Rides Manufacturing, Inc. All applicable OSHA safety standards and safe industry practices must be observed.

Observe all safety information contained in the manufacturer's manuals. Make available this bulletin and all related technical information to personnel using the equipment.

Chance Rides Manufacturing, Inc. issues notifications for the benefit of owners of amusement rides manufactured by Chance Rides Manufacturing, Inc. As a service to the industry, and in the interest of employee and public safety, Chance Rides Manufacturing, Inc. also issues notifications for the benefit of owners of amusement ride equipment for which the manufacturer no longer exists, such as the Allan Herschell Company, Chance Manufacturing Co., Inc., Chance Rides, Inc., etc. In doing so, Chance Rides Manufacturing, Inc. does not assume liability for losses associated with amusement ride equipment built by manufacturers other than Chance Rides Manufacturing, Inc.



CHANCE RIDES MANUFACTURING, INC.
4200 Walker
Wichita, KS 67277-2328
U.S.A.
Phone: 1-316-942-7411 • FAX: 1-316-942-2012
Website: www.rides.com
E-mail: rides@rides.com

Bulletin No:	B410CRM167-0
Release Date:	March 22, 2010
Effective Date:	Immediately
Supersedes:	N/A
Completion Date:	N / A
Page:	3 of 6

Ride Manufacturer: CHANCE RIDES, INC. Affected Production Dates: All

Ride Name: AVIATOR Affected Serial Nos.: All

Model No.: 410

Detail of Issue (continued):

Sweep and Hub Inspection Procedure

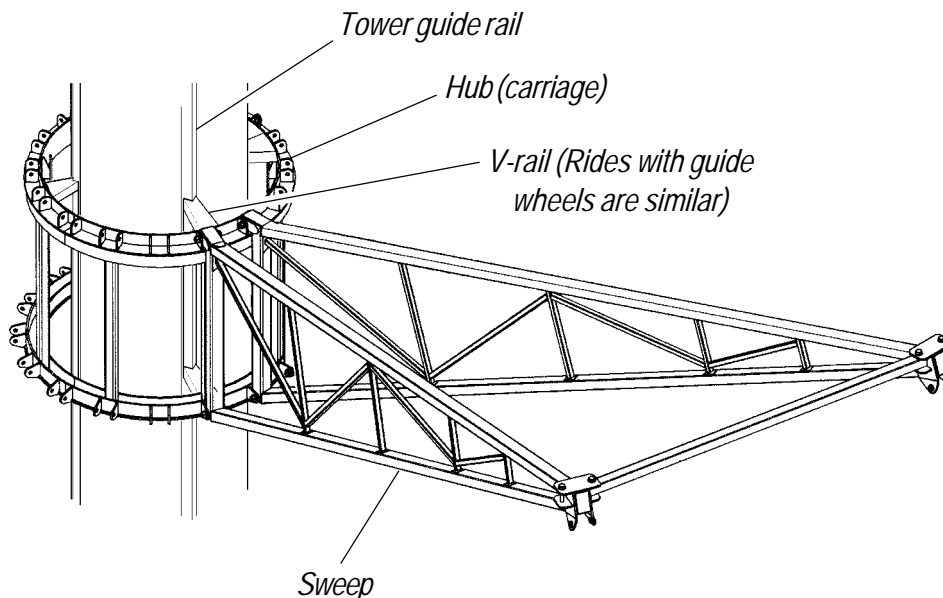
Visually inspect the areas shown below and detailed on the following pages of this bulletin. Look for indications around the mounting holes and check the welded joints for indications in the welds and the parent metal.

IMPORTANT: All visual inspections specified in this service bulletin must be performed by certified visual NDT personnel.

If any indication is found, DO NOT OPERATE THE RIDE. Contact the Customer Service Department at Chance Rides Manufacturing, Inc. for specific instructions on further action to be taken.

DO NOT ATTEMPT TO WELD OR OTHERWISE REPAIR THESE COMPONENTS EXCEPT AS SPECIFICALLY INSTRUCTED BY CHANCE RIDES MANUFACTURING, INC.

This inspection must be performed ANNUALLY.





CHANCE RIDES MANUFACTURING, INC.
4200 Walker
Wichita, KS 67277-2328
U.S.A.
Phone: 1-316-942-7411 • FAX: 1-316-942-2012
Website: www.rides.com
E-mail: rides@rides.com

Bulletin No:	B410CRM167-0
Release Date:	March 22, 2010
Effective Date:	Immediately
Supersedes:	N/A
Completion Date:	N / A
Page:	4 of 6

Ride Manufacturer: CHANCE RIDES, INC. Affected Production Dates: All

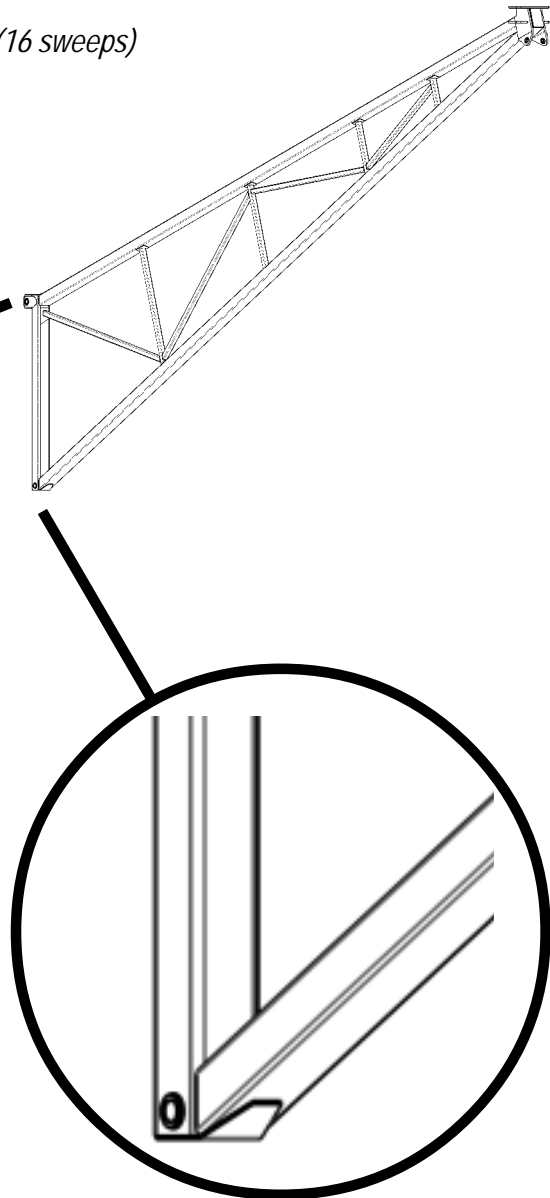
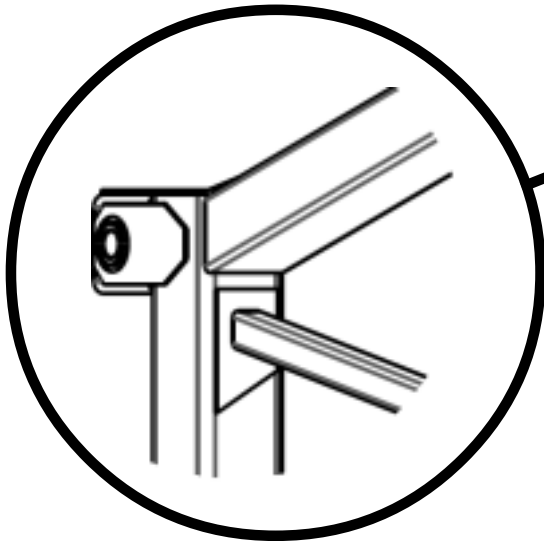
Ride Name: AVIATOR Affected Serial Nos.: All

Model No.: 410

Detail of Issue (continued):

Sweeps

Inspect the upper and lower mounting points of all sweeps (16 sweeps)



Look for indications around mounting holes.

Look for indications in all welds and in parent metal of the sweep structures.



CHANCE RIDES MANUFACTURING, INC.
4200 Walker
Wichita, KS 67277-2328
U.S.A.
Phone: 1-316-942-7411 • FAX: 1-316-942-2012
Website: www.rides.com
E-mail: rides@rides.com

Bulletin No:	B410CRM167-0
Release Date:	March 22, 2010
Effective Date:	Immediately
Supersedes:	N/A
Completion Date:	N / A
Page:	5 of 6

Ride Manufacturer: CHANCE RIDES, INC. Affected Production Dates: All

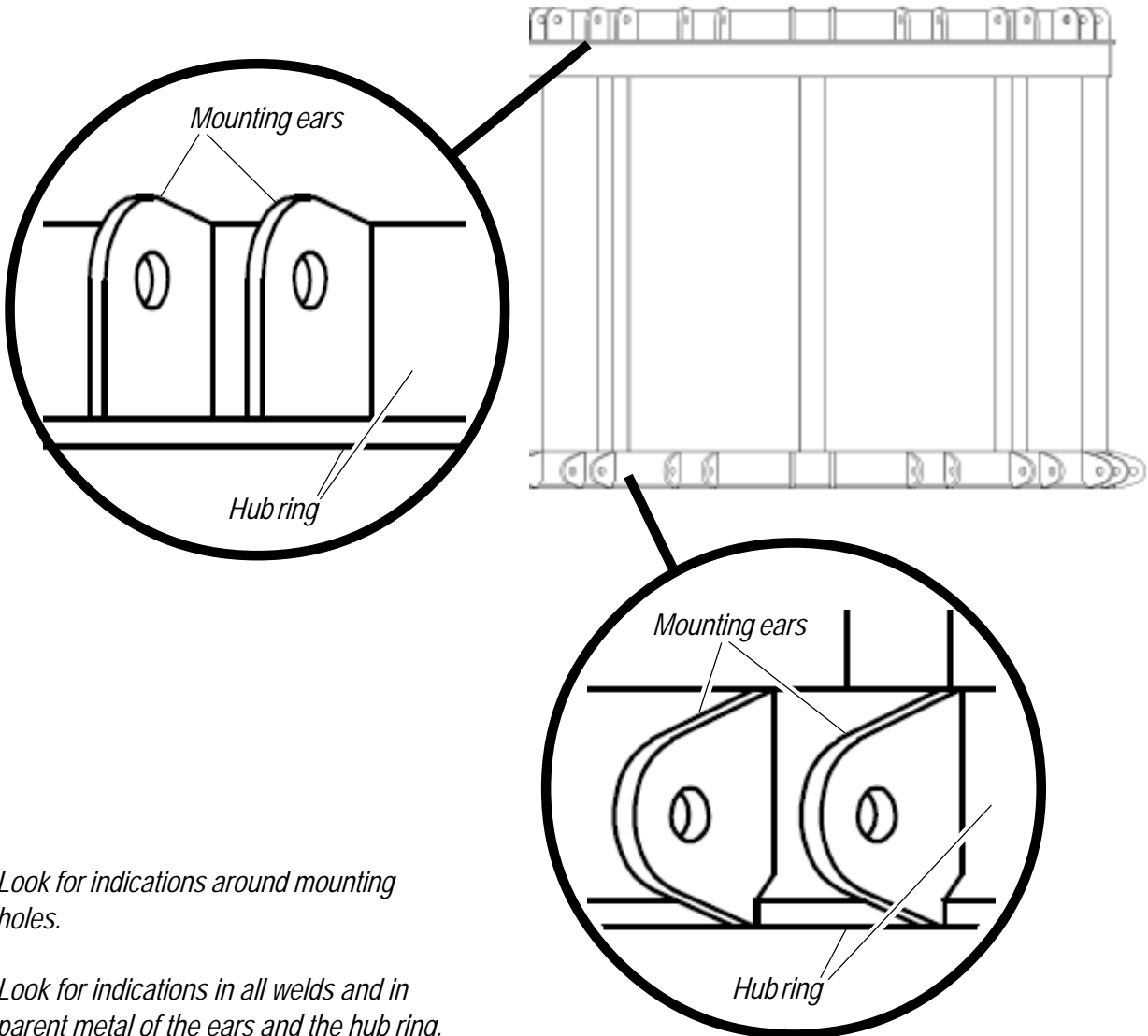
Ride Name: AVIATOR Affected Serial Nos.: All

Model No.: 410

Detail of Issue (continued):

Hub

Inspect the sweep mounting ears on the upper and lower rings of the hub (total 64 mounting ears)



Look for indications around mounting holes.

Look for indications in all welds and in parent metal of the ears and the hub ring.



CHANCE RIDES MANUFACTURING, INC.
4200 Walker
Wichita, KS 67277-2328
U.S.A.
Phone: 1-316-942-7411 • FAX: 1-316-942-2012
Website: www.rides.com
E-mail: rides@rides.com

Bulletin No:	B410CRM167-0
Release Date:	March 22, 2010
Effective Date:	Immediately
Supersedes:	N/A
Completion Date:	N / A
Page:	6 of 6

Ride Manufacturer: CHANCE RIDES, INC. Affected Production Dates: All

Ride Name: AVIATOR Affected Serial Nos.: All

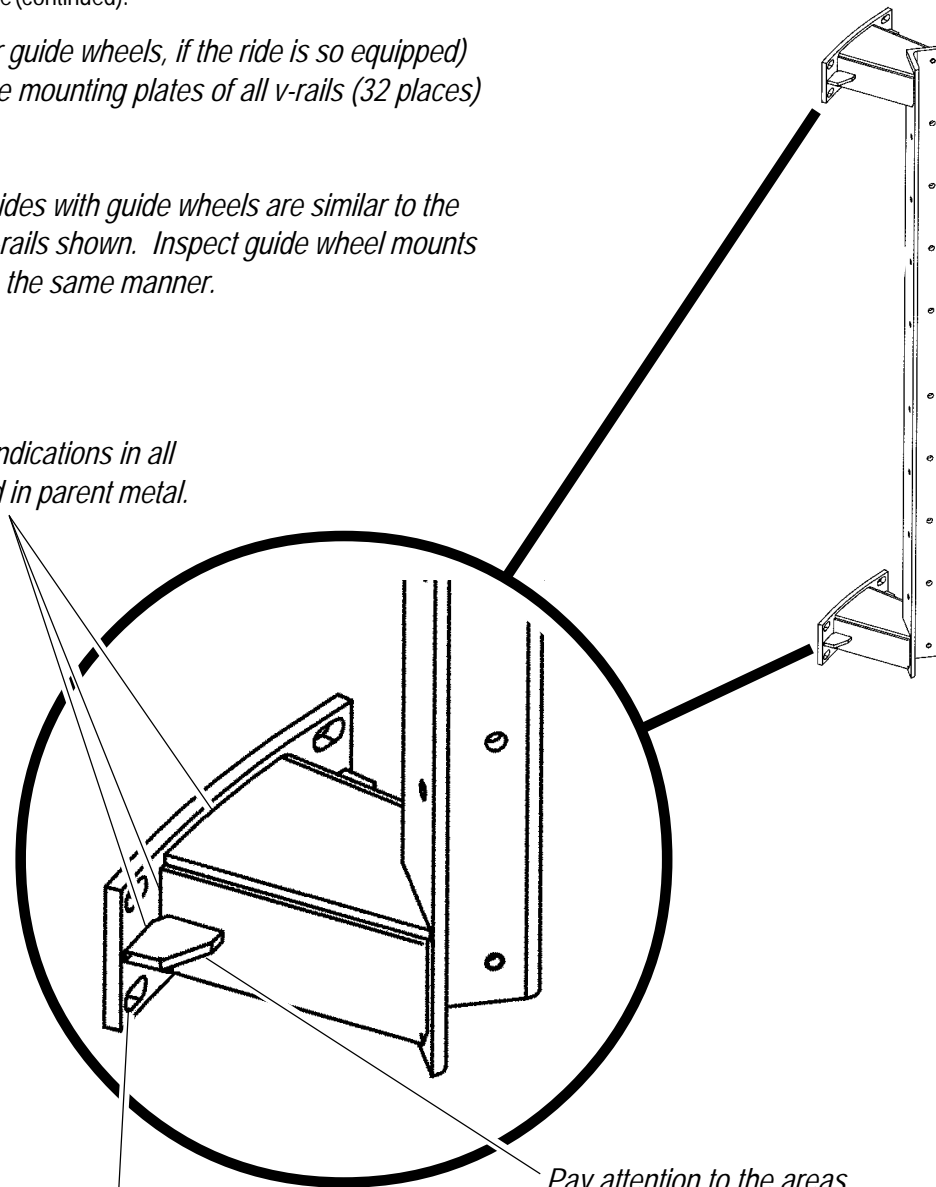
Model No.: 410

Detail of Issue (continued):

V-rails (or guide wheels, if the ride is so equipped)
Inspect the mounting plates of all v-rails (32 places)

NOTE: Rides with guide wheels are similar to the v-rails shown. Inspect guide wheel mounts in the same manner.

Look for indications in all welds and in parent metal.



Look for indications around mounting holes

Pay attention to the areas around this gusset