

ALLAN HERSCHELL

CHANCE
MANUFACTURING CO., INC.

Number: 33
Date: 12-7-72

Superceeds:
Number: June 1969
Date:

Service Information

Ride: KIDDIE ELECTRIC BUGGY (1960)

Subject: ERECTION AND CARE

1960 KIDDIE ELECTRIC BUGGY (ERECTION AND CARE)

Refer to the attached drawing which shows the general arrangement of ride. Note the locations of the various lengths of track, cable and control station. On all standard rides, tracks are either 4 ft. 6 inches straight, 9 ft. 0 inches, or standard curve and are shown to scale. Any special lengths are identified on the drawing.

Place the track for the loading zone into place first. (Refer to Dwg. KH-65 for typical track joint). Assemble all tracks using taper pins LD-156 for outside rail joints, including hairpin springs SP-125. Center third rail is connected by slotted link KH-3. Note omission of these links in four places for zone control of buggies. All taper pins and link bolts are to be drawn up tight for good electrical contact and maintain grade of track level within 2%. Place chemically treated wooden 2 x 4's under tracks, one at each track joint, one under center of each 9 ft. straight and one under center of each curve. Assemble all supply cables as shown on general arrangement drawing.

Before placing buggies on the track, swing center rear guide roller mount from near horizontal position to vertical position. This is done by removing lower 1/2 bolt and replacing this bolt into bottom hole after swinging guide roller mount to vertical position.

A toggle switch on the front center of chassis frame permits lights to be turned off during the daytime. A circuit breaker (I-T-40 Amp. EQW) switch is located next to the toggle switch to protect the motor. This switch lever should be operative to start the buggy. If a buggy does not start, check this switch. If derailment occurs and tripping occurs during operation, circuit breaker must be reset, after placing buggy on track in order to operate the buggy.

Factory and General Office, 4219 Irving, Box 2397 Wichita, Kansas 67201

Area Code (316) 942-7411

Sales Office:

103 Ross Ave., Dallas, Texas 75202

Area Code (214) 742-3802

Run a single phase, 60 cycle supply line to the lower disconnect switch on the control station - of sufficient size to maintain full voltage at the 9 KVA transformer. The current draw for each car is 28 amps at 32 volts. The output side of the transformer is 32 volts. The lamps for the side lights of the buggy (32 volt) are G. E. #532 lamps and should be obtainable locally. The three colored momentary push buttons are numbered and control the three loading zones of track.

Unless you have specified a special voltage, the transformer connections will be 230 volts when the ride leaves our factory. The cars will not operate satisfactorily if the input voltage from the power line drops below the permissible variation. If the buggies are sluggish or if the motors overheat, check the input voltage to the transformer.

It is important not to send off all the buggies at one time. They must run properly spaced around the ride.

Load and then start the buggies at about 10 second intervals to avoid bumping. If a buggy is derailed, the safety switch should be shut off to protect the motor in case the circuit breaker should not function in the car. Reset when operative if the circuit breaker should trip at derailment.

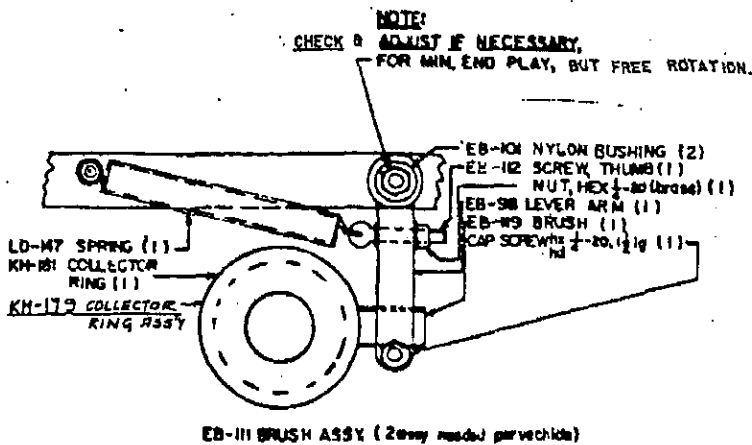
NOTE: See Parts Dwg. EB-100P for Buggy maintenance and lubrication.

While there is no shock hazard from the track it would be well to provide a fence to prevent bystanders from walking into the path of the cars in motion.

Do not permit grass or weeds to grow around the third rail as a substantial loss of voltage can occur by grass shorting the third rail to ground. This may result in poor performance.

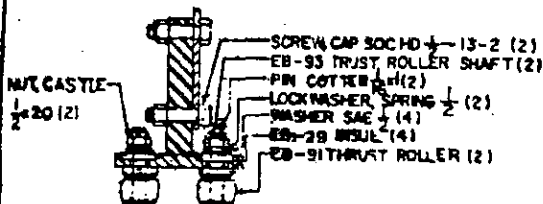
Lubricate the center rail of track with #95 Dixon Graphkote. Outer rails of track may be lubricated with #95 Dixon Graphkote if a slight squeal of the rear wheels on curves is found to be objectionable. This material is in the tool box. It should be applied with a paint brush.

NOTE: Proper functioning of brushes is essential to operation of the buggies. When installing new brushes make sure that they properly contact the brass collar for current flow. Before installing new brushes, clean dirt, rust, etc. from face of the collar and then emery cloth this surface. When clean, apply a light coating of vaseline to surface to lubricate during run-in period. Rear brushes are required to carry ground to the track. Do not ground motor to frame as current flow through ball bearing pillow blocks will destroy bearings.

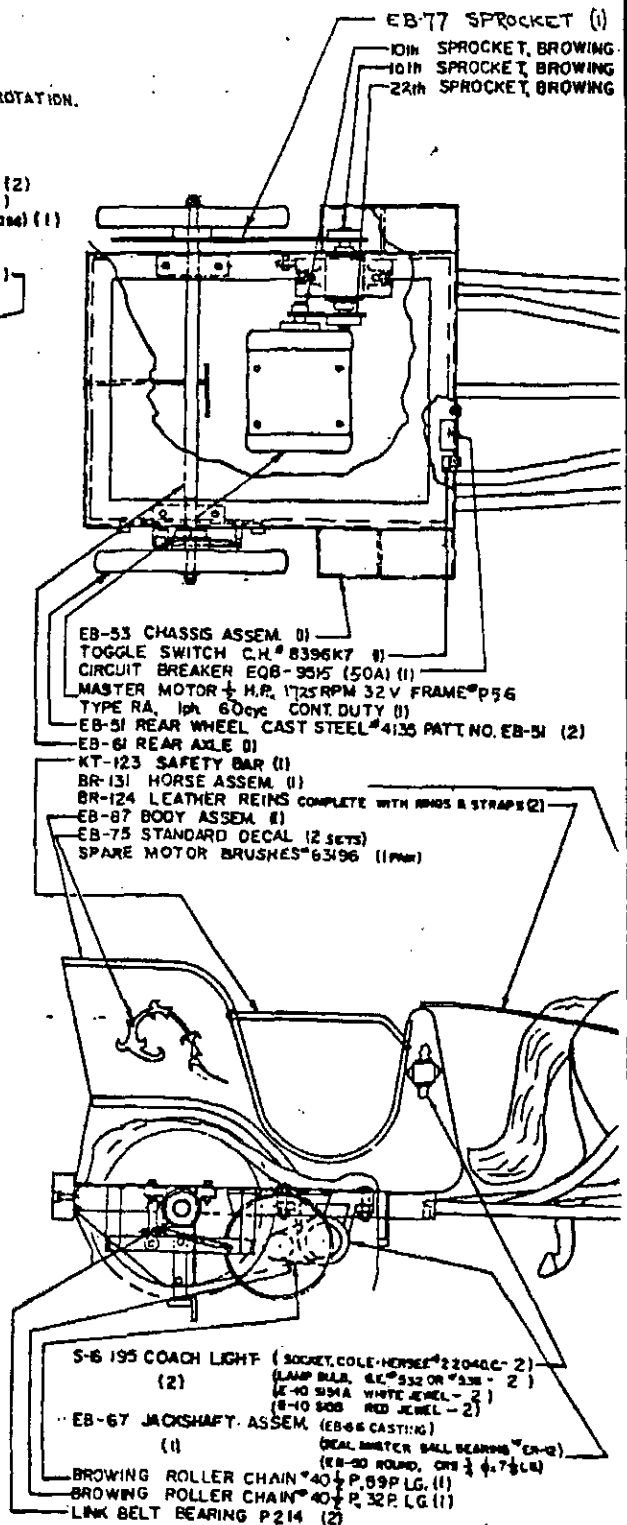


NOTE:
When replacing brushes, (EB-99) - wrap fine sandpaper around collector ring, with abrasive end up. Rotate collector ring against normal brush spring pressure. Spot in brush to form contact. Remove all abrasive from ring & brush before operation.

NEVER LUBRICATE COLLECTOR RING OR BRUSH

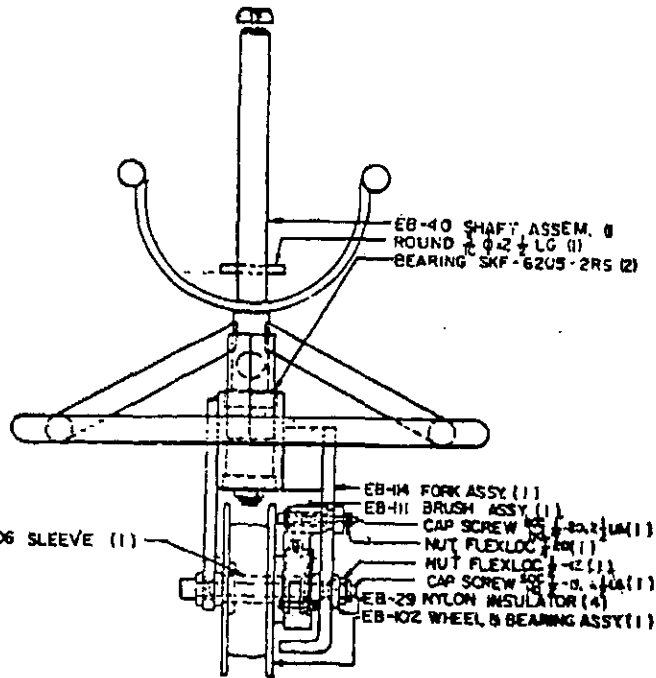
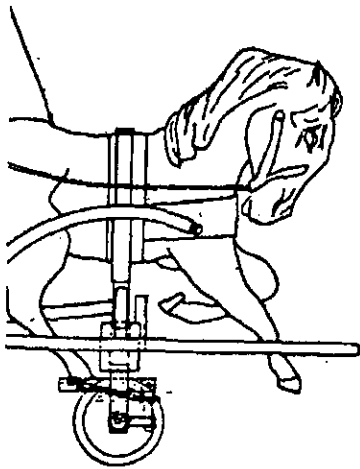
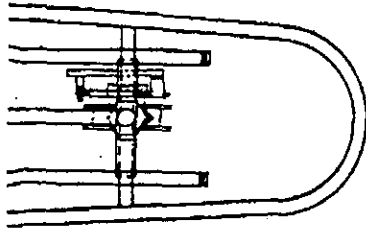


EB-92 THRUST ROLLER ASSY.



GREASE BEARINGS ONCE A MONTH
LUBRICATE CHAIN PERIODICALLY

4010 BORE
 4010 BORE
 4022 BORE



FRONT WHEEL ASSEM EB-110

THIS DRAWING AN. Price Copy

ALLAN HERSCHELL CO., INC.	
ELECTRIC MOTOR ASSEMBLY	
PARTS & NUMBERS	
NO. 1	NO. 2
NO. 3	NO. 4
NO. 5	NO. 6
NO. 7	NO. 8
NO. 9	NO. 10
NO. 11	NO. 12
NO. 13	NO. 14
NO. 15	NO. 16
NO. 17	NO. 18
NO. 19	NO. 20
NO. 21	NO. 22
NO. 23	NO. 24
NO. 25	NO. 26
NO. 27	NO. 28
NO. 29	NO. 30
NO. 31	NO. 32
NO. 33	NO. 34
NO. 35	NO. 36
NO. 37	NO. 38
NO. 39	NO. 40
NO. 41	NO. 42
NO. 43	NO. 44
NO. 45	NO. 46
NO. 47	NO. 48
NO. 49	NO. 50
NO. 51	NO. 52
NO. 53	NO. 54
NO. 55	NO. 56
NO. 57	NO. 58
NO. 59	NO. 60
NO. 61	NO. 62
NO. 63	NO. 64
NO. 65	NO. 66
NO. 67	NO. 68
NO. 69	NO. 70
NO. 71	NO. 72
NO. 73	NO. 74
NO. 75	NO. 76
NO. 77	NO. 78
NO. 79	NO. 80
NO. 81	NO. 82
NO. 83	NO. 84
NO. 85	NO. 86
NO. 87	NO. 88
NO. 89	NO. 90
NO. 91	NO. 92
NO. 93	NO. 94
NO. 95	NO. 96
NO. 97	NO. 98
NO. 99	NO. 100

SUPERSEDES EB100P

EB100P D