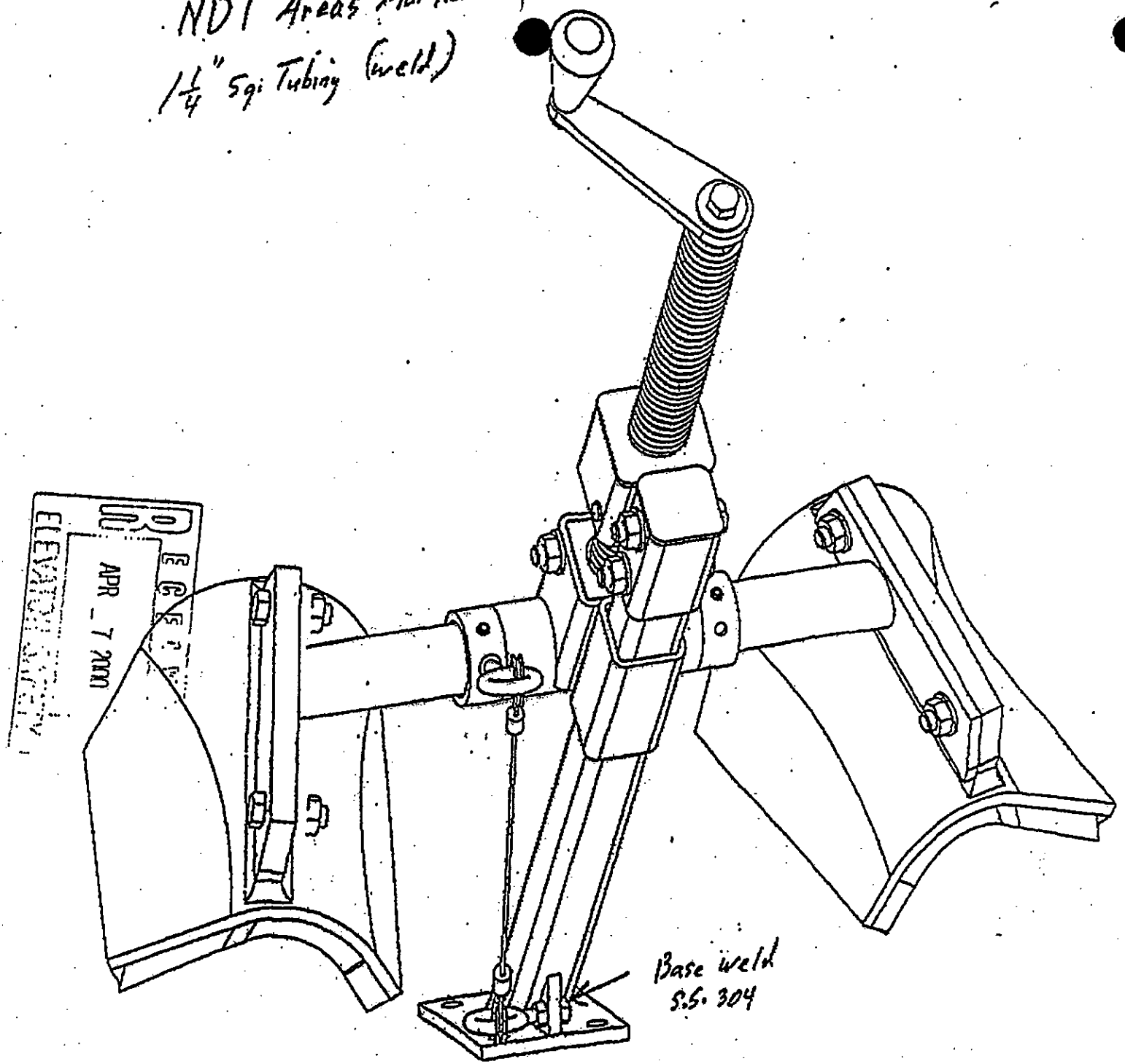
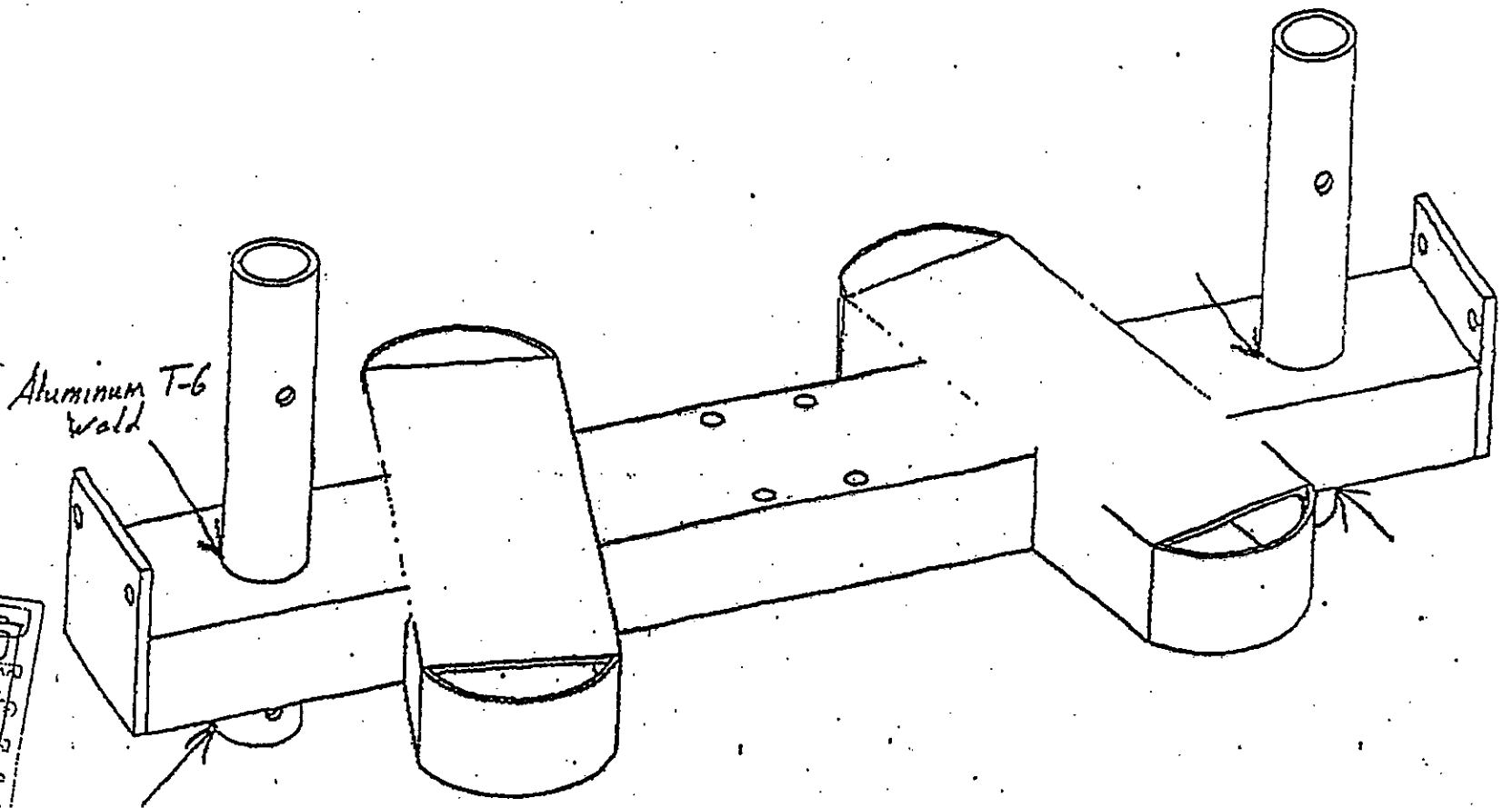


NDT Areas Marked
1/4" Sq Tubing (weld)

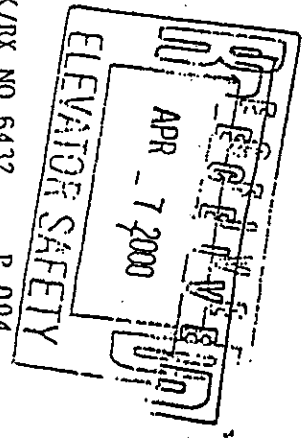


Base weld
S.S. 304

1 3/4 Tubing (weld)



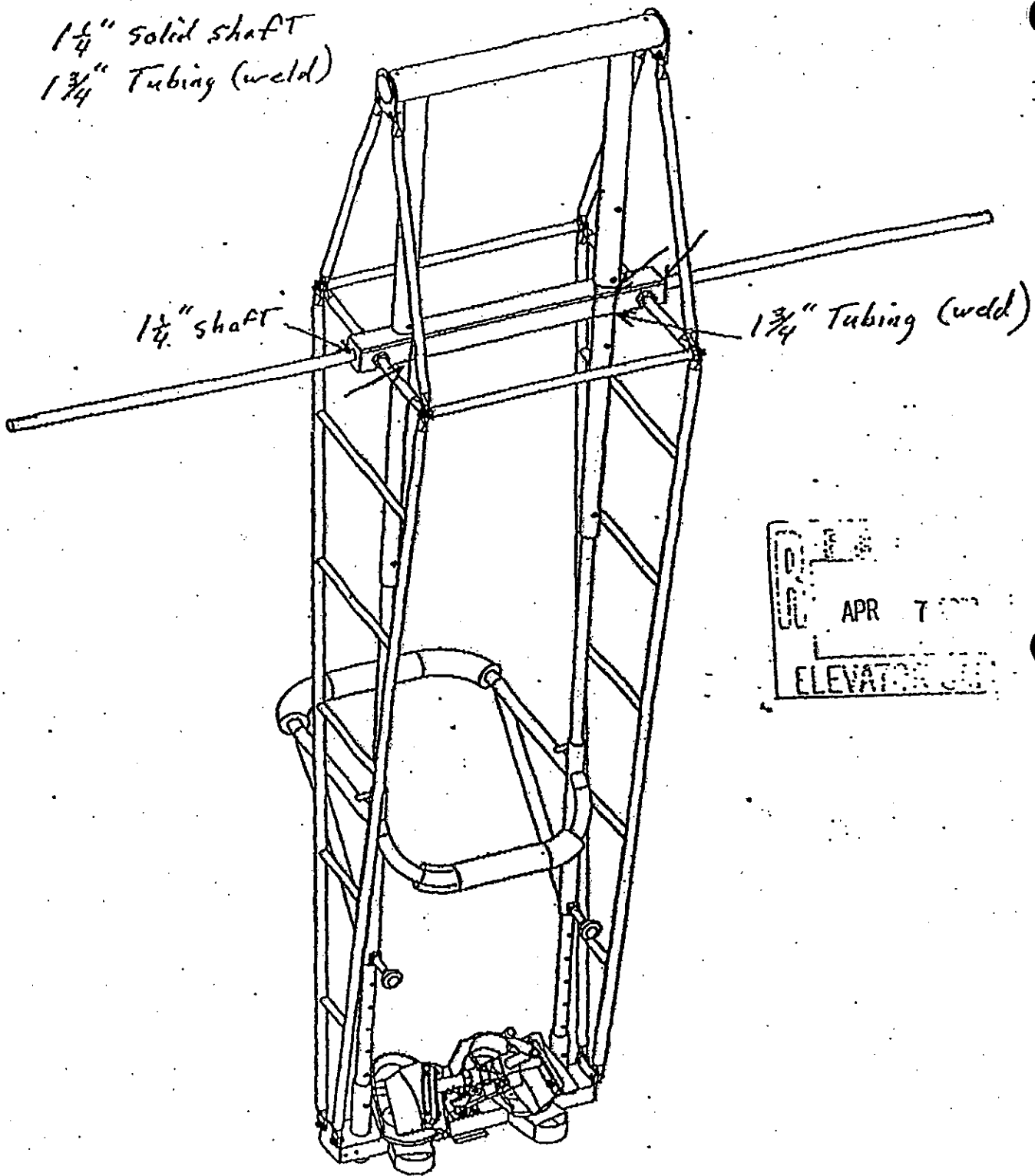
Aluminum T-6 weld



04/06/00 13:57 TX/RX NO.6432 P.004

04:00 02:03 PM HANG TIME INC 5615320034 P.04

NDT Areas Marked
1 1/4" Solid shaft
1 3/4" Tubing (weld)



APR 7 2000
ELEVATOR

030821
03102



HANG TIME INC. TM

April 6, 2000

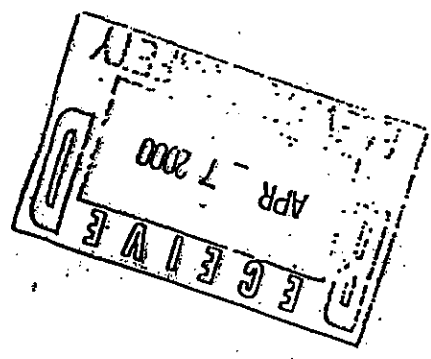
Venice Amusement Corp.

Dear Bill,

The following four pages of drawings, represent the areas to be tested by Magnetic Particle procedure.

Sincerely,

Robert Murray
Robert Murray
President



P.O. Box 30702 ~ Palm Beach Gardens FL 33420 ~ USA
Tel. 561 674-7371 ~ Fax. 561 674-7370 ~ Email. MHANGTIME@AOL.COM