



WISDOM INDUSTRIES, INC.

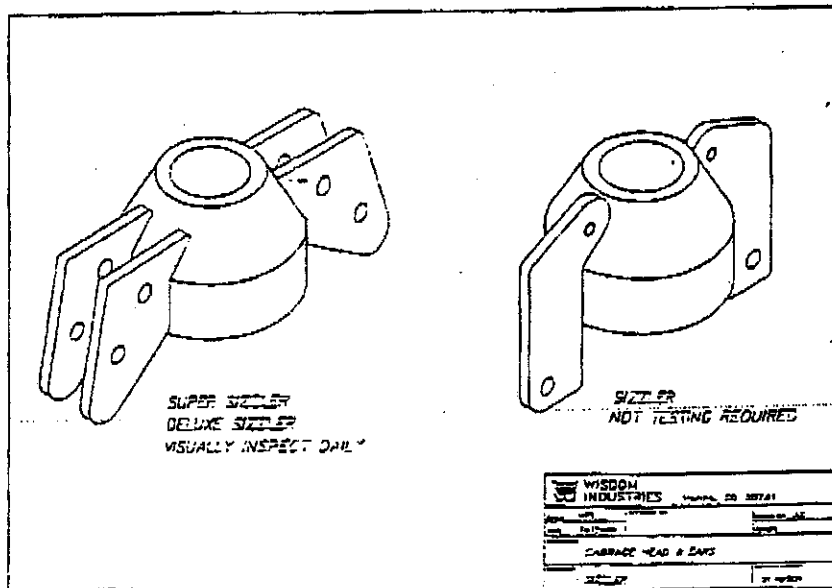


NOTICE

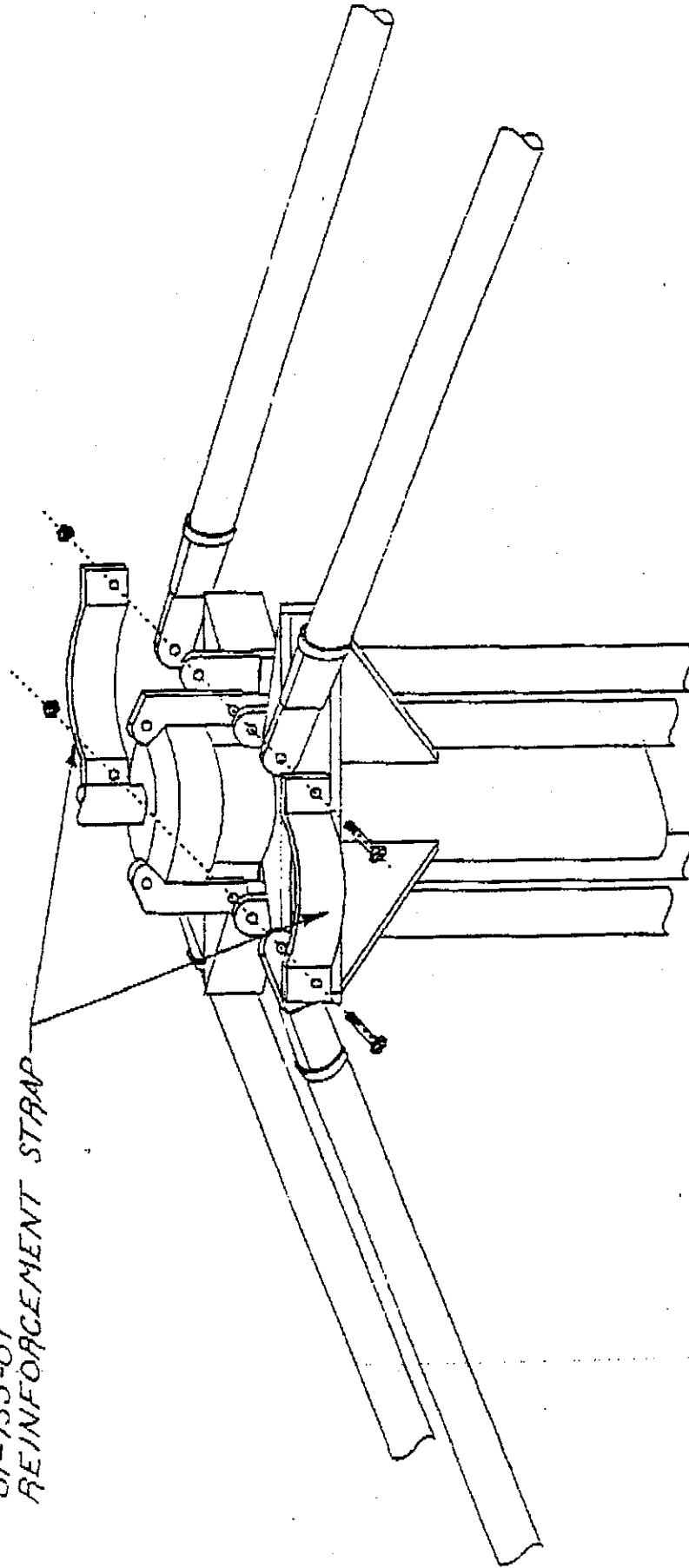
DATE: JULY 1994
RIDE: SIZZLER
SUBJECT: CABBAGE HEAD EARS


Magnaflux, ultrasonic or dye penetrant Non-Destructive Testing is required on the Cabbage Head Ears on the SIZZLER. The DELUXE SIZZLER or the SUPER SIZZLER requires a daily visual inspection for cracks of these ears prior to operation.

Refer to the drawing to identify the SIZZLER Cabbage Head style requiring magnaflux, dye penetrant, or ultrasonic testing outlined in the bulletin dated June 3, 1985.



01-155-01
REINFORCEMENT STRAP



 WISDOM IFG, INC. MERINO, CO	
SCALE: NONE	APPROVED BY:
DATE: 5-30-85	REVISION
CABBAGE HEAD REINFORCEMENT STRAP	
SIZER	DRAWING NUMBER
01	160