



Number: B106R1013-0

Date: September 9, 1987

SERVICE BULLETIN

Effective Serial Number: All Units

Ride: ZIPPER

Subject: Track Spacers

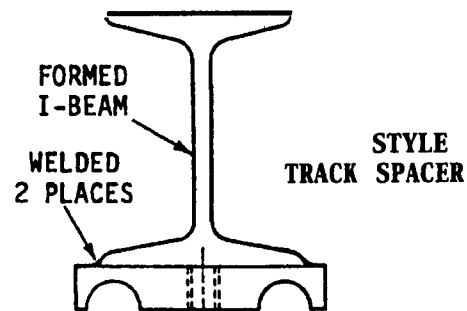
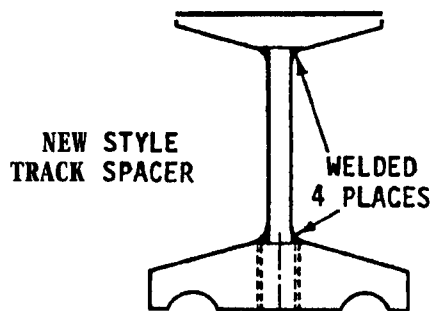
As a safety precaution, CHANCE RIDES, INC. requires that the owners of all ZIPPER amusement rides replace the track spacers between the straight and curved track sections at each end of the boom. A heavy, fabricated spacer is now available to replace the formed I-beam spacer previously used (See illustration).

AFTER JANUARY 1, 1988, DO NOT OPERATE THE RIDE WITH THE OLD STYLE TRACK SPACERS INSTALLED.

All work must be performed by qualified, competent mechanics, capable of understanding the function of the parts and their proper installation.

Remove all old style track spacers from rides, and replace with the new style 1-1/2, 2, 2-1/2, and 3-inch spacers. Be sure to use the correct size attach plate for each track spacer. Refer to the instructions on Service Bulletin B106R1008-0 and the procedure in the operation manual.

Fill out and return the attached Certification Of Compliance for the procedure no later than January 1, 1988.



<u>Part Number</u>	<u>Description</u>
305-69871	TRACK SPACER - 1-1/2" Long (1062171-015)
305-70093	TRACK SPACER - 2" Long (1062171-004)
305-69870	TRACK SPACER - 2-1/2" Long (1062171-006)
305-70094	TRACK SPACER - 3" Long (1062171-005)
305-53350	ATTACH PLATE - 1-1/2" Long (1062170A032)
305-53871	ATTACH PLATE - 2" Long (1062170A019)
305-53349	ATTACH PLATE - 2-1/2" Long (1062170A031)
305-53349	ATTACH PLATE - 3" Long (1062170A018)