

Number: B392R1027-0

Date: Dec. 31, 1988

Supersedes:

SERVICE BULLETIN

Effective Serial Numbers: 85-53008, 392-009-86 and 392-010-86

Ride: THUNDER BOLT

Subject: Spreader Bar Inspection
And Rework

A

WARNING: FAILURE TO COMPLY WITH THIS SERVICE BULLETIN CAN RESULT IN FAILURE OF THE SPREADER BAR SYSTEM AND INJURY TO PASSENGERS.

CHANCE RIDES, INC. has developed a new spreader bar system which provides longer life of the spreader bars, sweeps and center hub, and increased passenger safety.

ALL OWNERS OF THE ABOVE NOTED THUNDERBOLT AMUSEMENT RIDES ARE REQUIRED TO PERFORM THE INSPECTION AND APPROPRIATE REWORK TO UPDATE THEIR SPREADER BARS TO THE NEW DESIGN.

Perform the inspection as described on the following pages of this bulletin to determine the necessary rework required for your ride. Order the appropriate rework kit(s) listed on the following pages of this bulletin, depending upon the configuration of your ride:

Install the kit(s) using the instructions provided with each kit. All work must be performed by competent, qualified mechanics, capable of understanding the function of the parts and their proper installation.

Fill out the attached Certification Of Compliance for the inspection and the rework within fifteen (15) days of receipt of this bulletin. If there are any questions regarding the instructions or this repair, contact the CHANCE CUSTOMER SERVICE DEPARTMENT.

INSPECTION PROCEDURE

Inspect the spreader bar system on your ride, comparing it to the illustrations on the following pages.

EQUAL LENGTH SPREADER BARS

If your ride has equal length spreader bars and a spring-loaded spreader bar as shown in the illustration on the opposite page, you must replace the spring-loaded spreader bar. Order the following kit:

SPRING-LOADED SPREADER BAR REWORK KIT No. K37-0330-03
(consists of these parts necessary for one complete ride)

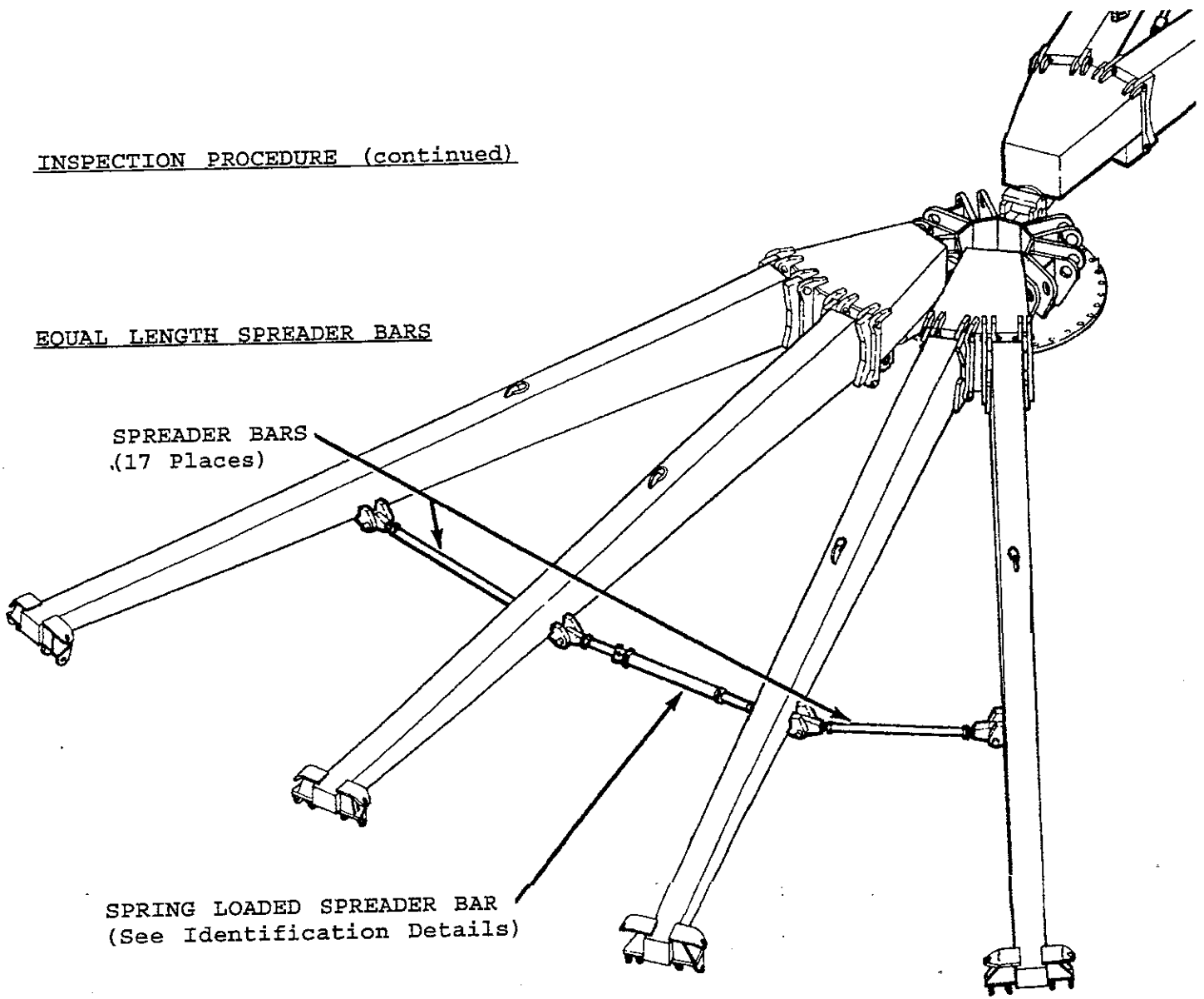
PARTS LIST

<u>Item</u>	<u>Part No.</u>	<u>Description</u>	<u>Qty.</u>
1	376-0399700	SPRING SPREADER BAR ASSEMBLY (392-201A005)	1
	376-7189900	..Spring Loaded Spreader Bar (392-210-001)	1
	237-0444200	..Rod End	2
	691-4764600	..Jam Nut (1-1/4-12)	2
2	390-5230000	TAPER PIN - 3/4 x 5-11/16" (CSN10A05-07)	2
3	694-5190200	HAIRPIN - 5/32"	2
4	B392R1004-A	BULLETIN - Spreader Bar Instructions	1

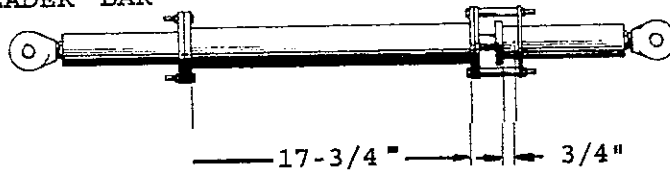
IMPORTANT: The new rod ends provided with the kit are of a new design and do not require bushings. DO NOT USE THE OLD ROD ENDS WITH THE NEW SPRING-LOADED SPREADER BAR. Discard the old rod ends.

INSPECTION PROCEDURE (continued)

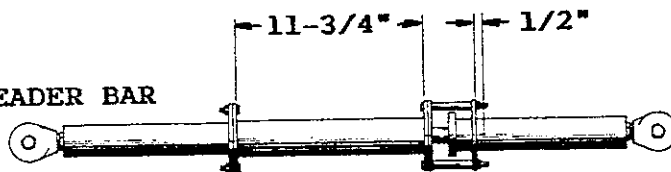
EQUAL LENGTH SPREADER BARS



NEW STYLE
SPRING-LOADED SPREADER BAR



OLD STYLE
SPRING LOADED SPREADER BAR



INSPECTION PROCEDURE (continued)

UNEQUAL LENGTH SPREADER BARS

If your ride has unequal length spreader bars as shown in the above illustration, you must replace the entire spreader bar system. Order the following kit:

SPREADER BAR SYSTEM REWORK KIT No. K37-0330-04
 (consists of these parts necessary for one complete ride)

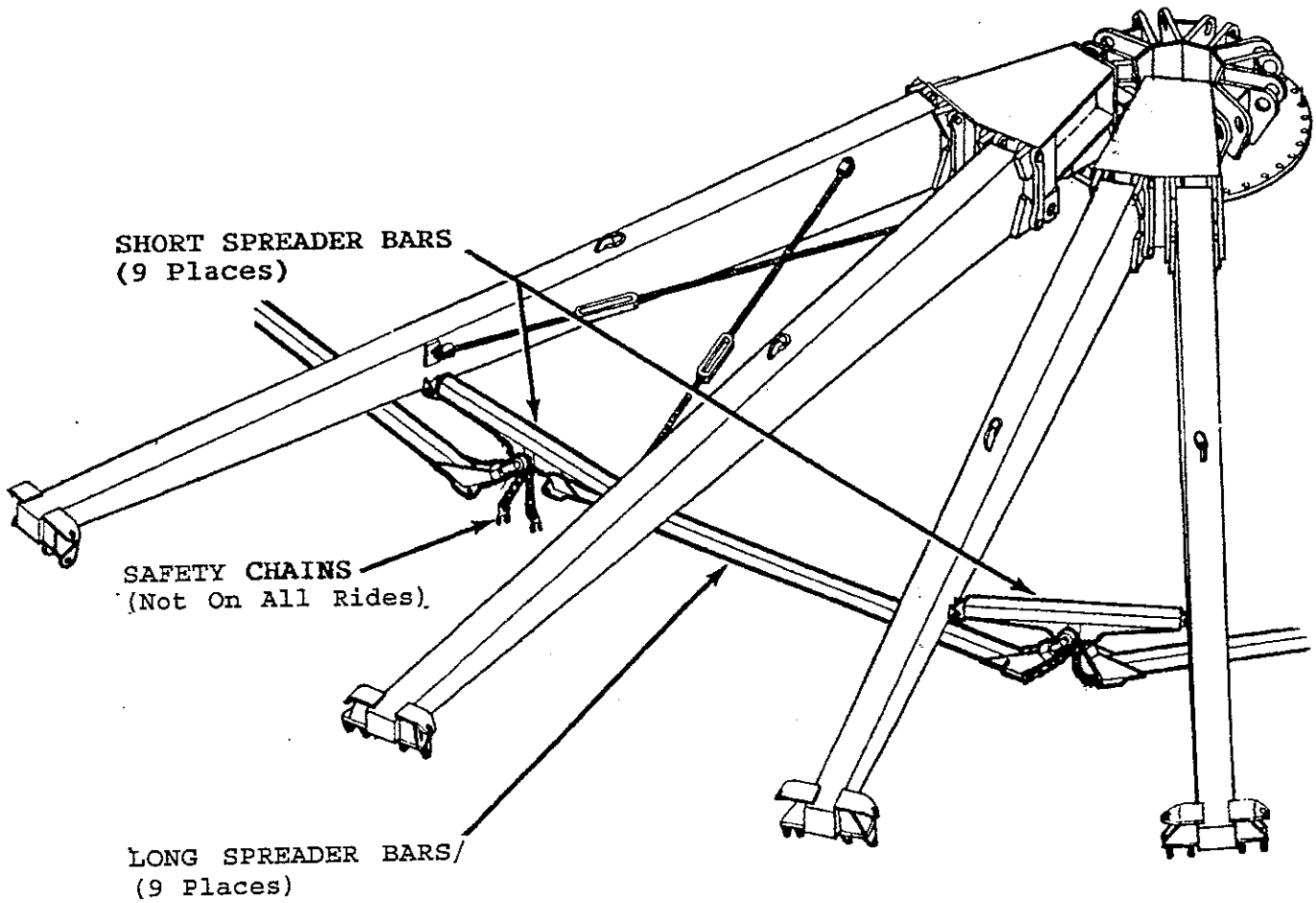
PARTS LIST

<u>Item</u>	<u>Part No.</u>	<u>Description</u>	<u>Qty.</u>
1	376-0399600	SOLID SPREADER BAR ASSEMBLY (392-201A004)	17
	337-4162300	..Spreader Bar (337-598-001)	1
	237-0444200	..Rod End	2
	691-4764600	..Jam Nut (1-1/4-12)	2
2	376-0399700	SPRING SPREADER BAR ASSEMBLY (392-201A005)	1
	376-7189900	..Spring Loaded Spreader Bar (392-210-001)	1
	237-0444200	..Rod End	2
	691-4764600	..Jam Nut 1-1/4-12	2
3	390-5230000	TAPER PI - 3/4 x 5-11/16" (CSN10A05-07)	2
4	694-5190200	HAIRPIN - 5/32"	2
5	B392R1004-A	BULLETIN - Spreader Bar Instructions	1

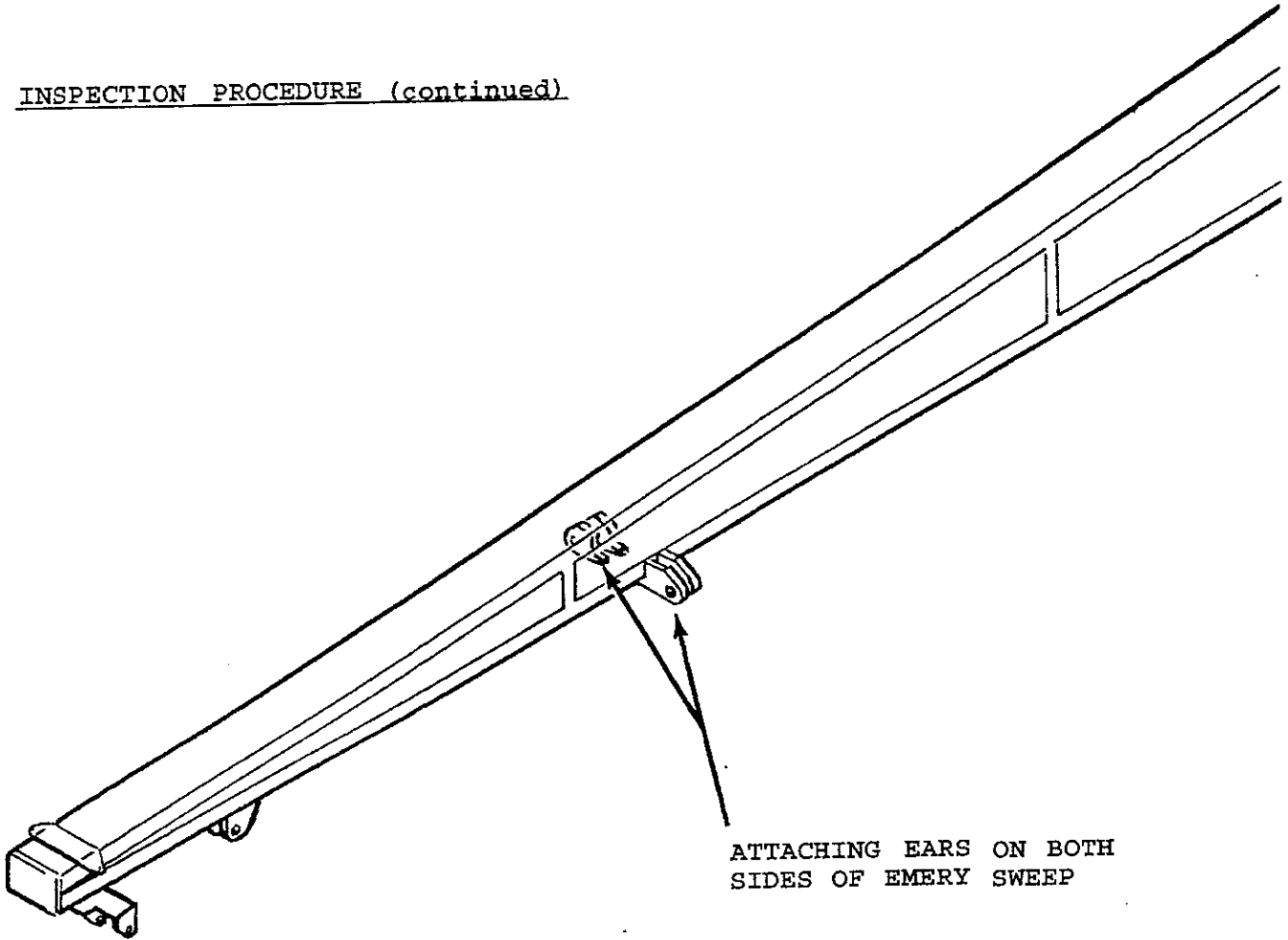
IMPORTANT: The new rod ends provided with the kit are of a new design and do not require bushings. DO NOT USE THE OLD ROD ENDS WITH THE NEW SPREADER BAR. Discard the old rod ends.

INSPECTION PROCEDURE (continued)

UNEQUAL LENGTH SPREADER BARS



INSPECTION PROCEDURE (continued)



ATTACHING EARS ON BOTH
SIDES OF EMERY SWEEP

If your ride does not have a spreader bar attaching ear on both sides of every sweep, you must install the remaining ears before replacing the spreader bar system. Order the following kit:

SPREADER BAR ATTACHING EAR KIT No. K37-0333-00
(consists of these parts necessary for one complete ride)

PARTS LIST

<u>Item</u>	<u>Part No.</u>	<u>Description</u>	<u>Qty.</u>
1	376-4237400	EAR AND BUSHING WELDMENT-R.H. (392-565-001)	9
2	376-4237500	EAR AND BUSHING WELDMENT-L.H. (392-565-002)	9
3	376-2737500	TOOL - Alignment (392-566-001)	1
4	---	INSTALLATION INSTRUCTIONS	1