



Number: B108R1019-0

Date: Nov. 18, 1987

SERVICE BULLETIN

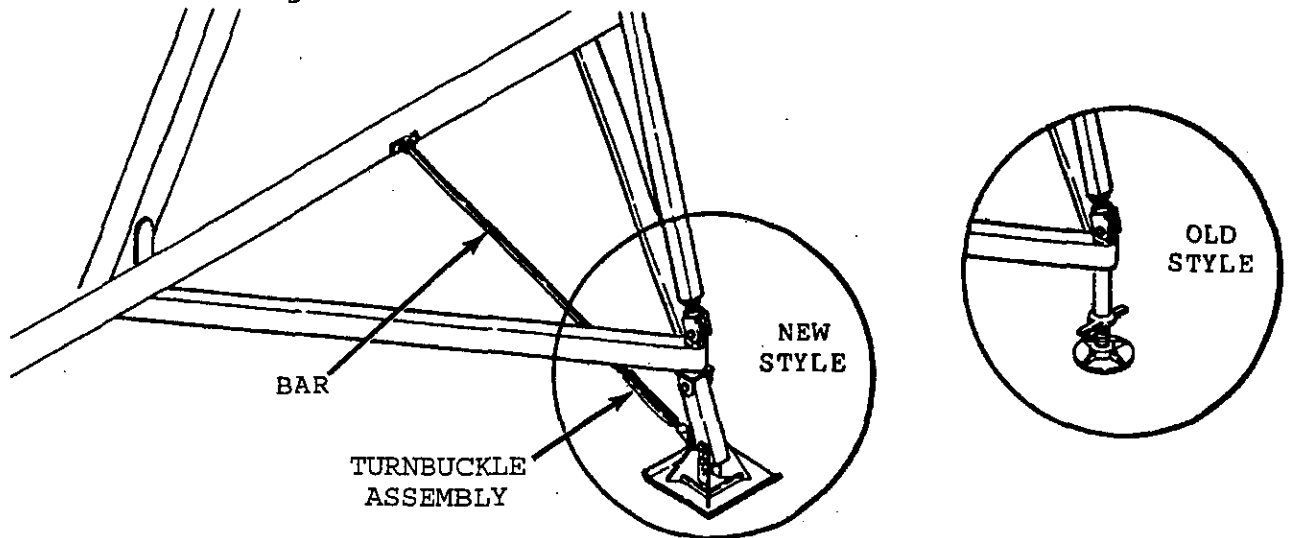
Effective Serial Numbers: See Text

Ride: SKY DIVER & ASTRO WHEEL

Subject: Outrigger Support
Brace Rework

CHANCE RIDES, INC. has developed a rigid brace to replace the existing bar and turnbuckle brace on the new style outrigger supports on SKY DIVERS and ASTRO WHEELS. This rigid brace will further increase the stability of the outriggers.

NOTE: If your ride does not have the new style outrigger supports, this bulletin does not apply and can be disregarded.

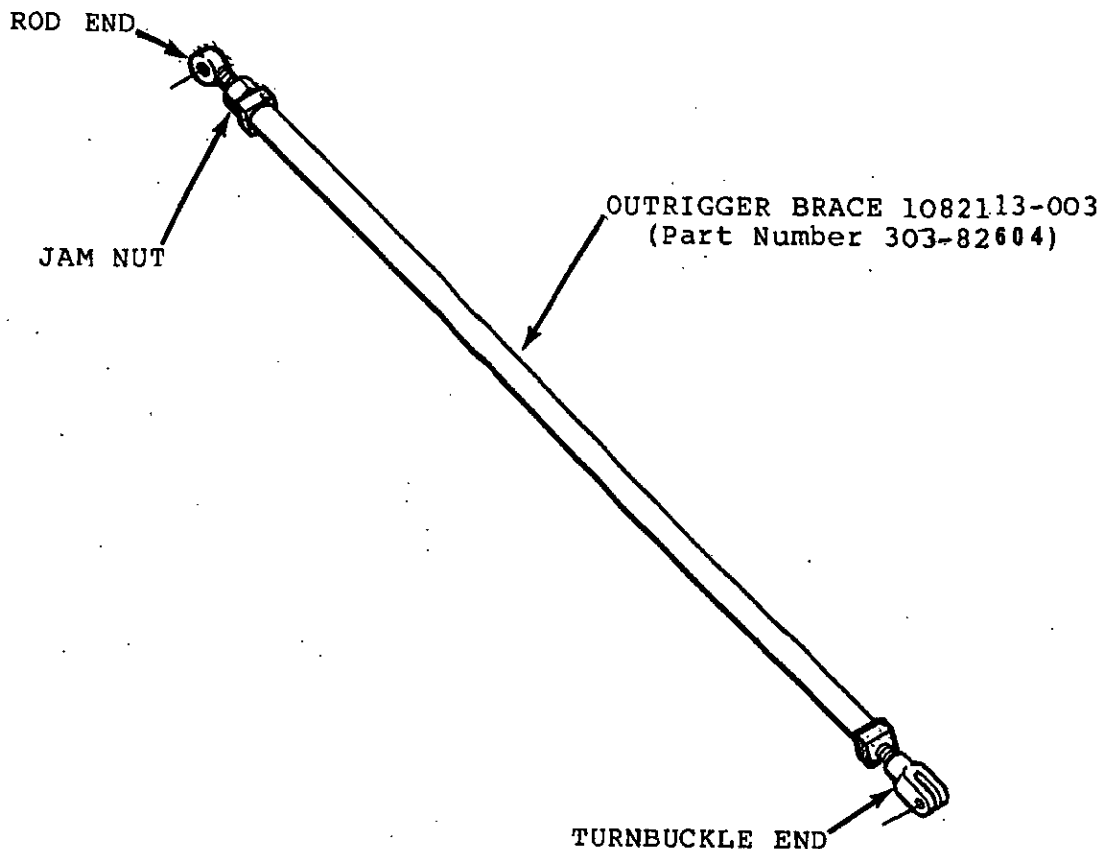


CHANCE RIDES, INC. requires that owners of all SKY DIVER and ASTRO WHEEL amusement rides with new style outrigger supports, perform the rework described in this bulletin. Use the instructions on the reverse side of this bulletin and the parts provided. Return the Certification Of Compliance within fifteen (15) days from receipt of this bulletin.

All work must be performed by competent, qualified mechanics, capable of understanding the function of the parts and their proper installation. If there are any questions regarding the instructions or this rework, contact the CHANCE CUSTOMER SERVICE DEPARTMENT.

Order Kit Number K03-0313-00, which consists of the following parts:

<u>Part No.</u>	<u>Description</u>	<u>Quantity</u>
303-82604	OUTRIGGER BRACE (1082113-003)	2



INSTALLATION INSTRUCTIONS

CAUTION: THE TOWER LEGS MUST BE FULLY LOWERED BEFORE THE OUTRIGGER SUPPORTS ARE DISASSEMBLED, TO PREVENT THE RIDE FROM TIPPING.

1. Remove the bar and turnbuckle assembly from one side of the ride.
2. Install the new outrigger brace using the existing hardware.
NOTE: Turn the rod end and the turnbuckle end into outrigger brace an equal number of turns.
3. Adjust the outrigger brace until tight. Tighten the jam nut.
4. Repeat the procedure for the other side of the ride.



Number: B03-0349-00

Date: Oct. 25, 1989

Supersedes:

America's Largest Manufacturer of Amusement Rides

SERVICE BULLETIN

Effective Serial Numbers: All Units

Ride: SKY DIVER / ASTRO WHEEL

Subject: Floor Retainer Pins

Recent field inspections have found SKY DIVER and ASTRO WHEEL amusement rides with platforms improperly installed. The platforms must be properly secured to maintain the safety of the ride and avoid personal injury.

CHANCE MANUFACTURING CO., INC. requires that the owners of SKY DIVER and ASTRO WHEEL amusement rides inspect the platform retainer pins using the instructions on the reverse side of this bulletin. Return the Certification Of Compliance within 15 days from receipt of this bulletin.

The inspection must be performed by qualified personnel, capable of understanding the function of the parts and their proper installation. If there are any questions regarding this inspection or these instructions, contact the CHANCE CUSTOMER SERVICE DEPARTMENT immediately.

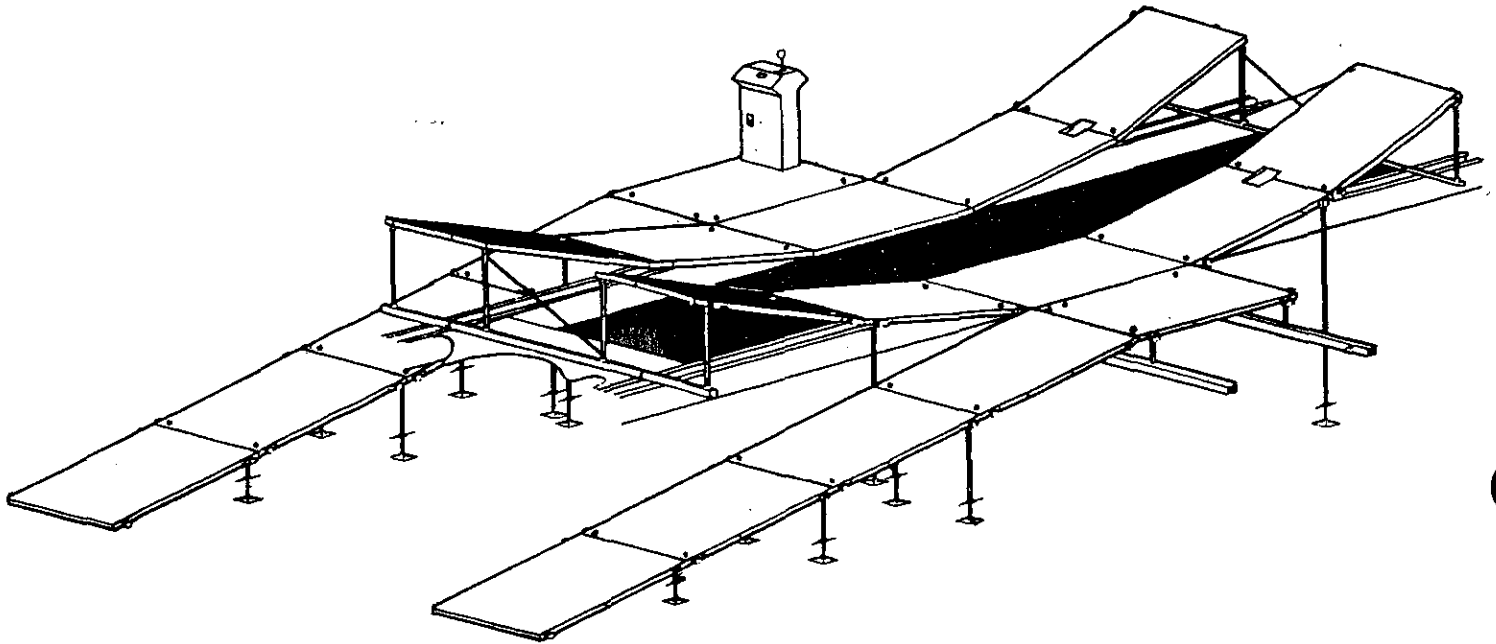
NOTICE

USE ONLY THOSE COMPONENTS AUTHORIZED, SPECIFIED OR PROVIDED BY THE MANUFACTURER. IF ANY ALTERATIONS AND/OR MODIFICATIONS OR ADDITIONS AND INSTALLATION OF UNAUTHORIZED COMPONENTS ARE MADE TO THE ORIGINAL DESIGN WITHOUT THE MANUFACTURER'S EXPLICIT WRITTEN CONSENT OR WITHOUT DIRECT SUPERVISION BY A MANUFACTURER'S REPRESENTATIVE, CHANCE MANUFACTURING CO., INC. MAKES NO CLAIMS AS TO THE INTEGRITY OF THE ALTERED OR MODIFIED RIDE.

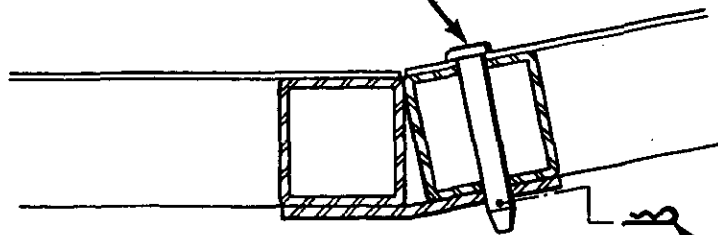
INSPECTION PROCEDURE

Inspect for proper installation of platforms and retainer pins as shown in the following illustrations. Each platform must be attached to the adjoining platforms with the taper pins and hair pins as originally provided from the factory. Never allow the platforms to simply lie in place. Likewise, do not use fasteners other than the pins originally specified.

THIS INSPECTION MUST BE PERFORMED AT EVERY SET-UP OR MONTHLY, WHICHEVER OCCURS FIRST.



**TAPER PIN
(See Chart on Page 3)**



**HAIR PIN
(See Chart on Page 3)**

**DETAIL OF TYPICAL PLATFORM
WITH TAPER PIN AND HAIR PIN
CORRECTLY INSTALLED**

<p style="text-align: center;">FOR RIDES WITH EXTRUDED ALUMINUM FLOORING USE THE FOLLOWING PARTS</p>	<p style="text-align: center;">FOR RIDES WITH ALUMINUM TREADPLATE FLOORING USE THE FOLLOWING PARTS</p>
<p style="text-align: center;">TAPER PIN 3/8 x 2-1/16 Grip Length (Part No. 390-5228400) & HAIR PIN - 3/32 (Part No. 694-5189900)</p>	<p style="text-align: center;">TAPER PIN 3/8 x 3-1/8 Grip Length (Part No. 390-5228500) & HAIR PIN - 3/32 (Part No. 694-5189900)</p>

NOTE: IF HOLES HAVE WORN TO A DIMENSION OF 7/16" OR GREATER AT ANY POINT, DRILL OVERSIZE TO 17/32" AND USE THE TAPER PINS AND HAIR PINS SHOWN IN THE FOLLOWING CHART:

<p style="text-align: center;">FOR RIDES WITH EXTRUDED ALUMINUM FLOORING USE THE FOLLOWING PARTS</p>	<p style="text-align: center;">FOR RIDES WITH ALUMINUM TREADPLATE FLOORING USE THE FOLLOWING PARTS</p>
<p style="text-align: center;">TAPER PIN 1/2 x 2-1/2 Grip Length (Part No. 390-5228800) & HAIR PIN - 1/8 (Part No. 694-5190000)</p>	<p style="text-align: center;">TAPER PIN 1/2 x 2-11/16 Grip Length (Part No. 390-5228900) & HAIR PIN - 1/8 (Part No. 694-5190000)</p>



Certification of Compliance

SERVICE BULLETIN B03-0349-00

We hereby certify the procedure outlined in the above-mentioned service bulletin has been performed on the SKY DIVER / ASTRO WHEEL

Serial No(s) _____, in accordance with the instructions and specifications supplied by Chance Manufacturing Company, Inc.

Date Bulletin Received _____

Date Procedure Performed _____

Name and Address of Person performing Procedure:

Attested:

Owner _____

Maintenance Supervisor _____

Address _____

Address _____

City _____ State _____

City _____ State _____

By: _____

Date: _____

Date: _____

Results: _____

This certification must be completed and returned to Chance Manufacturing Company, Inc. within fifteen (15) days of receipt of the bulletin