



CHANCE RIDES, INC.
 4219 Irving
 Wichita, KS 67277-2328
 U.S.A.
 Phone: 1-800-242-6231 • FAX: 1-316-942-7416
 Website: www.rides.com
 E-mail: rides@rides.com

Bulletin No: B414R1224-0
 Release Date: August 6, 1999
 Effective Date: August 6, 1999
 Supersedes: N/A
 Completion Date: September 6, 1999
 Page: 1 of 4

SERVICE BULLETIN

Ride Manufacturer: CHANCE RIDES, INC. Affected Production Dates: All

Ride Name: INVERTER (Portable Model) Affected Serial Numbers: All units

Model No.: 414

Abstract of Issue:
 Set-Up and Tear-Down Procedure

Reason For Release:
 Chance Rides, Inc. specifies in the INVERTER Set-Up Manual the correct way in which the ride is erected for operation and dismantled for transport. The manual provides instruction on the correct sequence of major steps of the set-up/tear-down procedures which must be followed to avoid serious personal injury and/or equipment damage. It is the owner's responsibility to ensure that set-up/tear-down personnel are familiar with the procedures specified and that these procedures are followed.

Action to be Taken:
 All owners of the above noted amusement rides must establish a training program which emphasizes the manufacturer's specifications as to how to correctly set-up and tear-down the ride and the hazards if the manufacturer's specifications are not followed. Never allow personnel under the counterweight arm or any other suspended load during set-up or tear-down of the ride.

All owners/operators of the INVERTER ride must read the Set-Up Manual and be familiar with all warnings and cautions printed in the manual prior to erecting or dismantling the ride.

Detail of Issue:
 To help insure the safety of the set-up/tear-down personnel, Chance Rides, Inc. has developed two decals which, along with the instructions in the Set-Up Manual, will alert personnel to specific steps in the procedure. All owner/operators of the above noted INVERTER rides are required to order and install the decals as instructed in this bulletin. The decals will be offered at no charge if ordered within 30 days of the release date of this bulletin.

<u>Part Number</u>	<u>Description</u>	<u>Qty. Req'd Per Ride</u>
414-0010-0044	DECAL - SET-UP	4
414-0010-0045	DECAL - TEAR-DOWN	4



CHANCE RIDES, INC.
4219 Irving
Wichita, KS 67277-2328
U.S.A.
Phone: 1-800-242-6231 • FAX: 1-316-942-7416
Website: www.rides.com
E-mail: rides@rides.com

Bulletin No: B414R1224-0
Release Date: August 6, 1999
Effective Date: August 6, 1999
Supersedes: N/A
Completion Date: September 6, 1999
Page: 2 of 4

Ride Manufacturer: CHANCE RIDES, INC. Affected Production Dates: All

Ride Name: INVERTER (Portable Model) Affected Serial Nos.: All units

Model No.: 414

Action to be taken (continued):

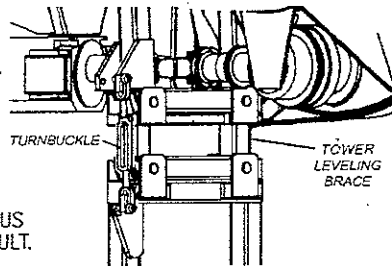
WARNING

DURING SET-UP -

BEFORE REMOVING THE ARM-TO-ARM LOCKING BRACE AND UNFOLDING THE COUNTERWEIGHT ARM, INSTALL THE TOWER LEVELING BRACE AND SECURE WITH ALL PINS. THE TURNBUCKLE MUST BE SECURE. THE OUTRIGGERS MUST BE EXTENDED AND THE COUNTERWEIGHT SECTIONS FOLDED TOGETHER AND PROPERLY SECURED.

IF THIS PROCEDURE IS NOT FOLLOWED, THE COUNTERWEIGHT ARM, BEING HEAVIER AT THE UPPER END, WILL IMMEDIATELY SWING OUTWARD OUT-OF-CONTROL. SERIOUS PERSONAL INJURY AND/OR EQUIPMENT DAMAGE CAN RESULT.

FOR COMPLETE INSTRUCTIONS, SEE THE SET-UP MANUAL



414-0010-044

DECAL - SET-UP (part number 414-0010-0044)

4 required per ride

WARNING

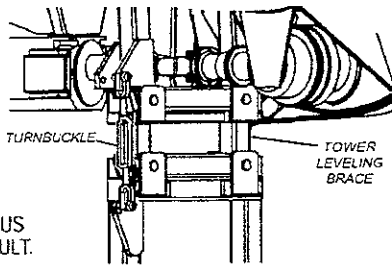
DURING TEAR-DOWN -

INSTALL THE MAIN ARM SAFETY PIN BEFORE STARTING TEAR-DOWN.

BEFORE REMOVING THE CAPSCREWS AND PIN WHICH SECURE THE COUNTERWEIGHT ARM TO THE MAIN ARM, LOWER THE TOWER ONTO THE LEVELING BRACE AND SECURE WITH ALL PINS AND HAIRPINS. THE TURNBUCKLE MUST BE SNUG.

IF THIS PROCEDURE IS NOT FOLLOWED, THE COUNTERWEIGHT ARM, BEING HEAVIER AT THE UPPER END, WILL IMMEDIATELY SWING OUTWARD OUT-OF-CONTROL. SERIOUS PERSONAL INJURY AND/OR EQUIPMENT DAMAGE CAN RESULT.

FOR COMPLETE INSTRUCTIONS, SEE THE SET-UP MANUAL



414-0010-045

DECAL - TEAR-DOWN (part number 414-0010-0045)

4 required per ride



CHANCE RIDES, INC.
4219 Irving
Wichita, KS 67277-2328
U.S.A.
Phone: 1-800-242-6231 • FAX: 1-316-942-7416
Website: www.rides.com
E-mail: rides@rides.com

Bulletin No:	B414R1224-0
Release Date:	August 6, 1999
Effective Date:	August 6, 1999
Supersedes:	N/A
Completion Date:	September 6, 1999
Page:	3 of 4

Ride Manufacturer: CHANCE RIDES, INC. Affected Production Dates: All

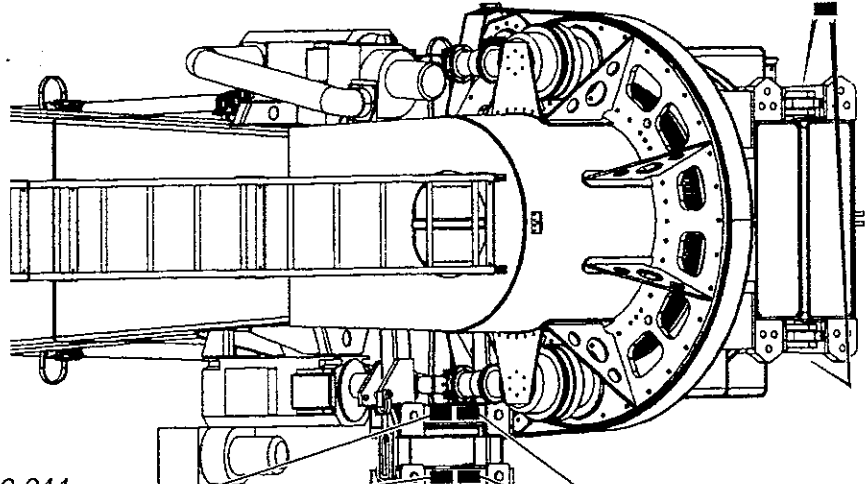
Ride Name: INVERTER (Portable Model) Affected Serial Nos.: All units

Model No.: 414

Action to be taken (continued):

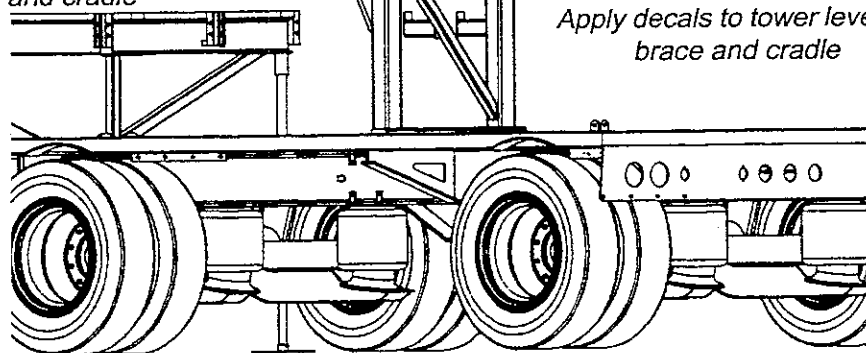
Install the decals in the locations shown in the following illustrations. Clean all decal mounting surfaces with a suitable cleaner such as rubbing alcohol. Do not use cleaners which contain ammonia.

*414-0010-045 DECAL - Tear-Down
Apply decal to both sides of counterweight
arm near bolting flanges*



*414-0010-044
DECAL - Set-Up
Apply decals to tower
leveling brace and cradle*

*414-0010-045
DECAL - Tear-Down
Apply decals to tower leveling
brace and cradle*





CHANCE RIDES, INC.
4219 Irving
Wichita, KS 67277-2328
U.S.A.
Phone: 1-800-242-6231 • FAX: 1-316-942-7416
Website: www.rides.com
E-mail: rides@rides.com

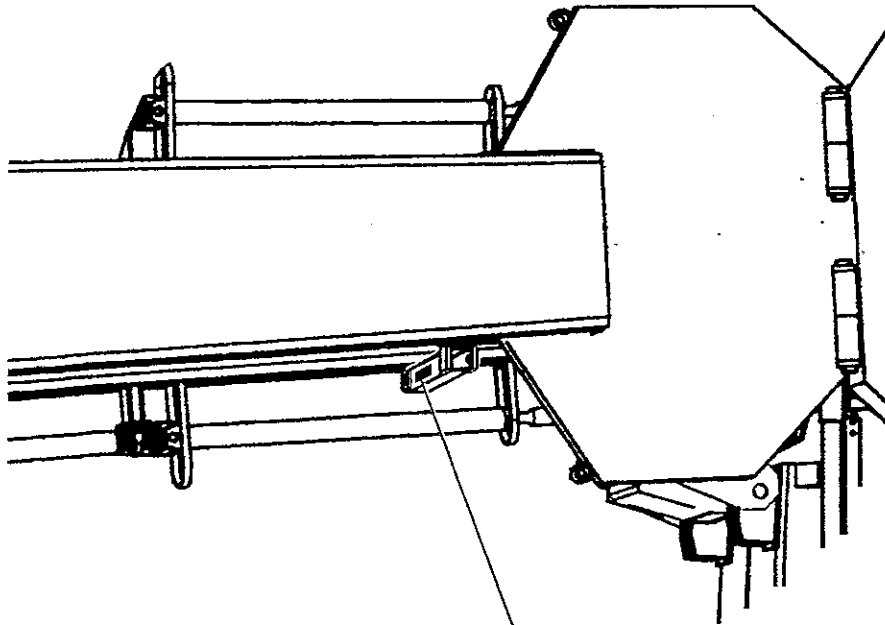
Bulletin No:	B414R1224-0
Release Date:	August 6, 1999
Effective Date:	August 6, 1999
Supersedes:	N/A
Completion Date:	September 6, 1999
Page:	4 of 4

Ride Manufacturer: CHANCE RIDES, INC. Affected Production Dates: All

Ride Name: INVERTER (Portable Model) Affected Serial Nos.: All units

Model No.: 414

Action to be taken (continued):



414-0010-044 DECAL - Set-Up
Apply decals to both sides of arm-to-arm brace

All work must be performed by qualified personnel, capable of understanding the function of the parts and their proper installation.

NOTICE

Use only those components authorized, specified or provided by Chance Rides, Inc.

Chance Rides, Inc. **SPECIFICALLY DISCLAIMS ANY LIABILITY** for losses associated with any unauthorized alterations and/or modifications or additions and installations of unauthorized components.