



**CHANCE RIDES, INC.**  
4219 Irving  
Wichita, KS 67277-2328  
U.S.A.

Phone: 1-800-242-6231 • FAX: 1-316-942-7416  
Website: [www.rides.com](http://www.rides.com)

Bulletin No: B408R1208-0

Release Date: March 18, 1999

Effective Date: March 18, 1999

Supersedes: N/A

Completion Date: Immediate

Page: 1 of 1

# SERVICE BULLETIN

Ride Manufacturer: CHANCE RIDES, INC.

Affected Production Dates: All

Ride Name: CHAOS

Affected Serial Nos.: All

Model No.: 408

#### Abstract of Issue:

Vehicle Lock Slide Rail Lubrication

#### Reason For Release:

Chance Rides, Inc. has revised the lubricant specification for the vehicle lock slide rails and actuator yoke and cam on the CHAOS amusement ride. The new lubricant provides several benefits over the previously specified lubricant - better lubrication, longer maintenance intervals and better protection in extreme operating conditions.

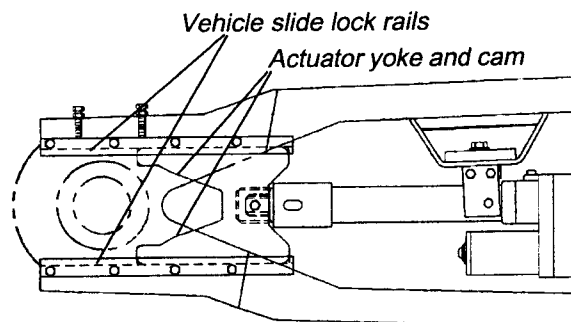
#### Action to be Taken:

All owner/operators of CHAOS amusement rides must use the lubricant specified in this bulletin to provide maximum service life of the slide lock components.

#### Detail of Issue:

Apply Loctite® Anti-Seize Lubricant (or equivalent) on the vehicle lock slide rails and actuator yoke and cam weekly, or at every set-up, whichever occurs first. This product can be obtained from most lubricant suppliers, and is available in an aerosol container. This allows application through the access holes in the sweep end covers. Apply lubricant in the areas shown on all sweeps.

All work must be performed by qualified personnel, capable of understanding the function of the parts and their proper installation.



#### NOTICE

Use only those components authorized, specified or provided by Chance Rides, Inc.

Chance Rides, Inc. **SPECIFICALLY DISCLAIMS ANY LIABILITY** for losses associated with any unauthorized alterations and/or modifications or additions and installations of unauthorized components.