



Issuing Entity:
Larson International Inc.
P.O. Box 638
Plainview, TX 79073-0638
U.S.A.
Phone 806-293-1353
Fax 806-293-5215
www.larsonintl.com

Bulletin No.: L03-007
Release Date: 8/31/06
Effective Date: Immediately
Supercedes: N/A
Completion Date:
Sept. 15, 2006

Page: 1 of 2

SERVICE BULLETIN

Ride Manufacturer: Larson International Inc. Affected Production Dates: All

**Ride Name: HI-ROLLER PORTABLE MODELS AND
CRAZY TRAIN PORTABLE MODELS**

Affected Serial Nos.:

90PAHR001
90PAHR002
90PAHR003
90PAHR004
91PAHR005
91PAHR006
91PAHR007
91PAHR008
91PAHR009
91PAHR010
92PAHR011
92PAHR012
93PAHR013
93PAHR014
98PACT10006

Abstract Of Issue:

Mandatory Bolt, Nut, and Washer replacement schedule for track sections

Reason for Release:

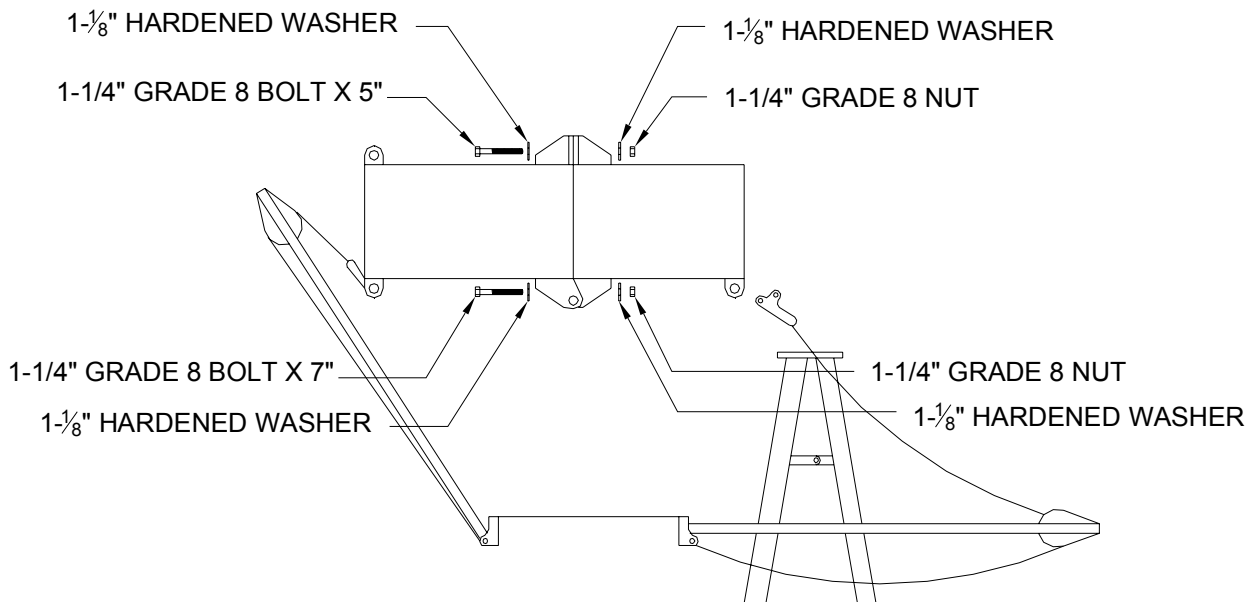
Larson International Inc. has learned that the Grade 8 bolts, Grade 8 nuts, and hardened washers being used to fasten the two track sections together on the Crazy Train and Hi-Roller rides are being replaced with substandard bolts, nuts, and washers. There is reasonable concern that serious personal injury and property damage could result from failure of these fasteners.

Larson International Inc. issues notifications for the benefit of owners of amusement rides manufactured by Larson International, Inc. As a service to the industry, and in the interest of employee and public safety, Larson International, Inc. also issues notifications for the benefit of owners of amusement ride equipment for which the manufacturer no longer exists such as LMC, Inc. and Hi-Roller Company. In doing so, Larson International, Inc. does not assume liability for losses associated with amusement ride equipment built by manufacturers other than Larson International, Inc.

Action To Be Taken:

Larson International Inc. requires all owner/operators of the above-named rides to remove and install the parts listed below.

1. Remove all ten, 1-1/4" bolts, nuts, and washers currently being used to fasten the two track sections together.
2. Replace with 1-1/4" Grade 8 UNC bolts, Grade 8 UNC nuts, and 1-1/8" hardened washers purchased from Larson International, Inc.
3. All bolts and nuts must be dry torqued to 400 foot pounds with a torque wrench.
4. Proper bolt tension must be checked daily with a torque wrench to 400 foot pounds of torque.
5. All bolts, nuts, and washers must undergo a visual inspection each time the ride is erected checking for corrosion, thread damage, bending and cracking. If any corrosion, thread damage, bending or cracking is seen or if excessive torquing is required to remove the bolts and nuts they must be replaced immediately.
6. All hardware must be purchased from Larson International, Inc. to ensure proper quality, size and grade.
7. All hardware must be initially replaced no later than September 15, 2006. If replacement is not completed by this date the ride must be taken out of service until replacement is complete.
8. The entire set of bolts, nuts, and washers must be replaced annually after initial replacement.



Larson International Inc. issues notifications for the benefit of owners of amusement rides manufactured by Larson International, Inc. As a service to the industry, and in the interest of employee and public safety, Larson International, Inc. also issues notifications for the benefit of owners of amusement ride equipment for which the manufacturer no longer exists such as LMC, Inc. and Hi-Roller Company. In doing so, Larson International, Inc. does not assume liability for losses associated with amusement ride equipment built by manufacturers other than Larson International, Inc.
